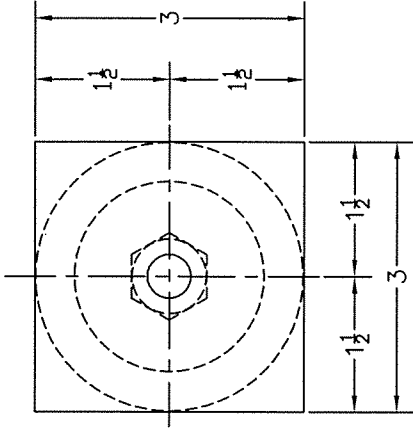
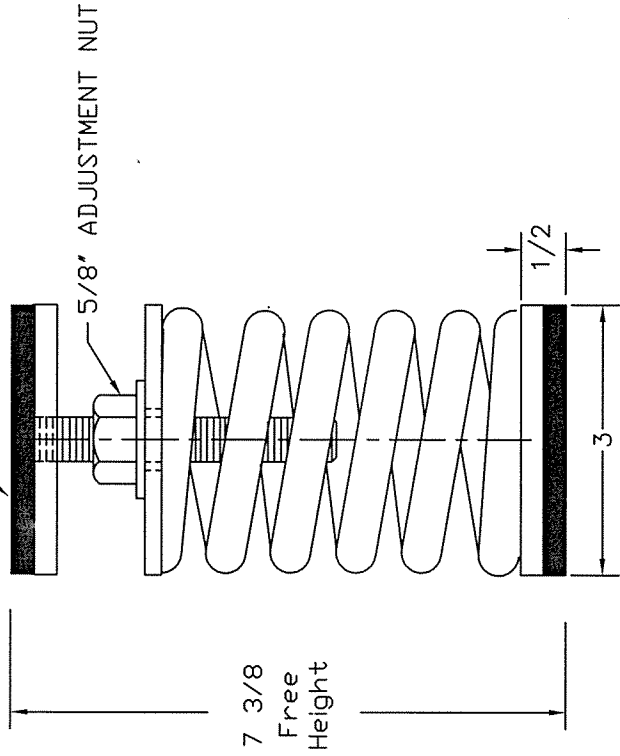


TYPE "OSKL6" SPRING ISOLATOR

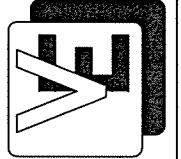


1/4" NON-SKID NEOPRENE PAD



ISOLATOR TYPE	COLOR CODE	RATED LOAD	RATED DEFL.
OSKL6 { F60 F61 F62 F63 F64 F65 F66 F67 F68 F69	Silver	60 #	3.00"
	Yellow	109 #	2.72"
	Red	155 #	2.58"
	Green	210 #	2.32"
	Blue	275 #	2.20"
	Orange	365 #	2.08"
	Gold	500 #	2.00"
	White	715 #	2.00"
	Red/Silver Red/Yellow	945 # 1190 #	2.00" 2.00"

ALL HARDWARE ZINC-ELECTROPLATED



VIBRATION ELIMINATOR CO. INC.
 15 Dixon Avenue
 Copiague, NY 11726
 PH. (631)841-4000 FAX (631)841-0020

Dwg. No.:

JOB : _____

CONTRACTOR : _____

P.O. NO. : _____