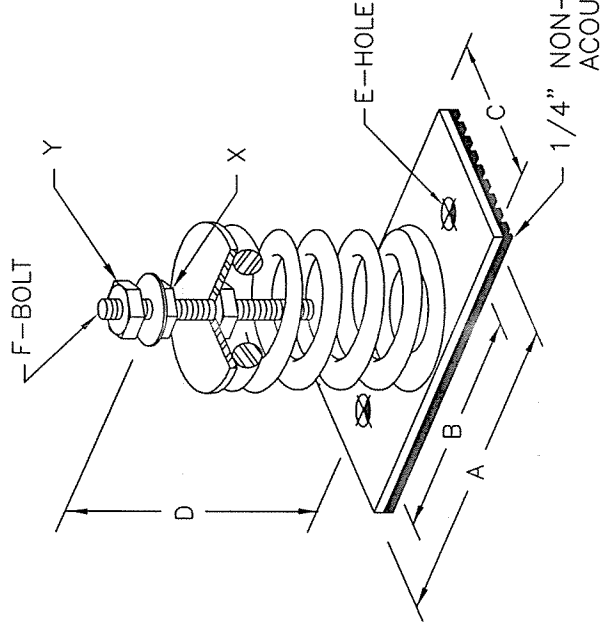


# TYPE "OST" STABLE, FREE-STANDING SPRING

## INSTALLATION INSTRUCTIONS

- ELEVATE EQUIPMENT TO OPERATING HEIGHT AND INSERT BLOCKS TO HOLD IN THIS POSITION.
- POSITION ISOLATORS UNDER THE EQUIPMENT AT APPROPRIATE LOCATIONS BY INSERTING TOP PORTION OF LEVELING BOLT "F" INTO HOLE IN EQUIPMENT. THE ISOLATORS MUST BE INSTALLED ON A LEVEL SURFACE AND VERTICALLY ALIGNED TO PREVENT DISTORTION OF THE SPRING.
- PROCEED TO ADJUST THE ISOLATORS BY TURNING LEVELING NUT "X" COUNTER-CLOCKWISE, SEVERAL TURNS AT A TIME ALTERNATELY ON EACH ISOLATOR.
- CONTINUE TURNING ADJUSTING NUT "X" IN THIS MANNER UNTIL LOAD IS TRANSFERRED ONTO THE SPRINGS AND EQUIPMENT IS RAISED UNIFORMLY OFF THE BLOCKS. THEN REMOVE BLOCKS.
- TURN LOCK NUT "Y" ONTO LEVELING BOLT "F" AND LOCK IT SECURELY IN PLACE AGAINST THE TOP OF THE EQUIPMENT LEG OR MOUNTING FRAME.
- ISOLATORS ARE NOW PROPERLY ADJUSTED AND READY FOR THE EQUIPMENT TO BE OPERATED.

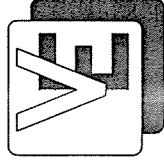


ISOLATOR TYPE	COLOR	RATED LOAD	RATED DEFL.	A	B	C	D	E	F
OST1	SILVER	100 #	1.00"						
	YELLOW	200 #	1.00"						
	RED	295 #	0.80"						
	WHITE	380 #	0.80"	5	4	2 1/2	5 1/4	9/16	5/8
	GREEN	530 #	0.80"						
	BLUE	750 #	0.75"						
	ORANGE	1125 #	0.75"						
	GOLD	1500 #	0.75"						
OST3	SILVER	155 #	1.85"						
	YELLOW	220 #	1.70"						
	RED	310 #	1.55"						
	WHITE	420 #	1.40"						
	GREEN	540 #	1.25"						
	BLUE	710 #	1.15"						
	ORANGE	900 #	1.05"	6	5	3	6	9/16	5/8
	GOLD	1030 #	1.00"						
	RED/SILVER	1275 #	1.00"						
	RED/YELLOW	1630 #	1.00"						
	RED/WHITE	2100 #	1.00"						
RED/GREEN	3000 #	1.00"							

All springs are free standing and laterally stable. (Meeting a minimum of 0.8 ratio of spring diameter to compressed height.)  
 All springs are designed to provide additional travel of 50% of rated load.  
 All hardware zinc-electroplated.



JOB : \_\_\_\_\_  
 CONTRACTOR : \_\_\_\_\_  
 P.O. NO. : \_\_\_\_\_



VIBRATION ELIMINATOR CO., INC.  
 15 Dixon Avenue  
 Copiague, New York 11726  
 TEL. (631) 841-4000 Fax (631) 841-0020

Dwg. No. \_\_\_\_\_