



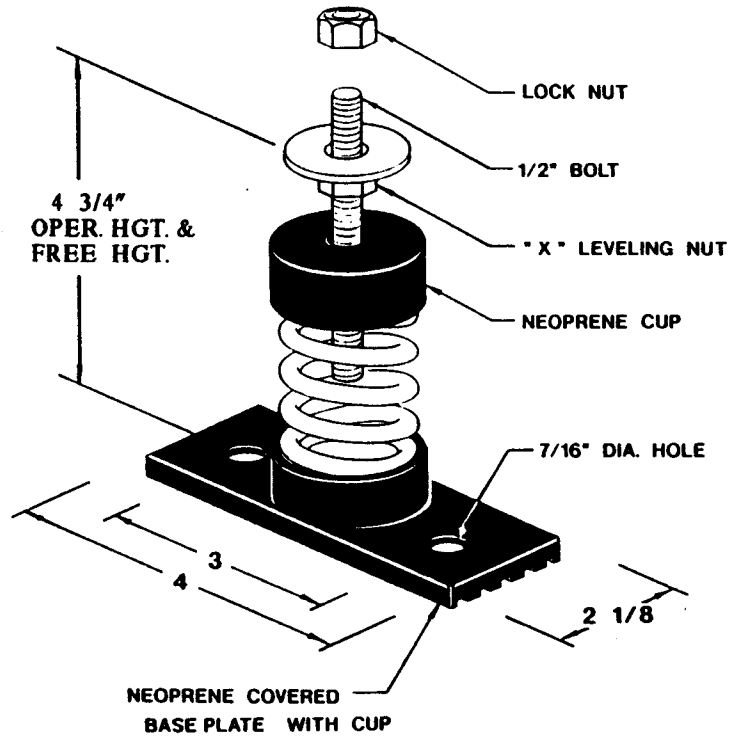
JOB: _____

CONTRACTOR: _____

P.O. NO.: _____

Type 'OST2R' Stable, Free Standing Spring Isolator

Model Number	Color Code	Rated Load	Rated Defl.	
OST2R	F21	Yellow	40 #	1.00"
	F22	Red	100 #	1.00"
	F23	White	150 #	1.00"
	F24	Green	210 #	1.00"
	F25	Blue	300 #	1.00"
	F26	Orange	400 #	1.00"
	F27	Brown	500 #	1.00"



INSTALLATION INSTRUCTIONS

- (1) ELEVATE EQUIPMENT TO OPERATING HEIGHT AND INSERT BLOCKS IN THIS POSITION.
- (2) POSITION ISOLATORS UNDER THE EQUIPMENT AND VERTICALLY ALIGN SO THAT FASTENING TO THE EQUIPMENT WILL NOT DISTORT THE SPRINGS. THE 'OST2R' ISOLATORS MUST BE INSTALLED ON A LEVEL SURFACE.
- (3) PROCEED TO ADJUST THE ISOLATORS BY TURNING THE LEVELING NUT 'X' COUNTER-CLOCKWISE SEVERAL TURNS AT A TIME ALTERNATELY ON EACH ISOLATOR UNTIL THE EQUIPMENT BEGINS TO RAISE, THEN LEVEL AS REQUIRED.
- (4) TURN LOCK NUT ONTO STUD AND SECURE FIRMLY IN PLACE AGAINST THE TOP OF THE EQUIPMENT LEG OR MOUNTING FRAME.
- (5) ISOLATORS ARE NOW PROPERLY ADJUSTED AND READY FOR THE EQUIPMENT TO BE OPERATED.

NOTE: ALL HARDWARE ZINC-ELECTROPLATED

VIBRATION ELIMINATOR CO., INC.
 15 Dixon Avenue
 Copiague, New York 11726
 Tel. (631)841-4000 Fax (631)841-0020

Rev.

Rev.

Date:

Dwg. No.: