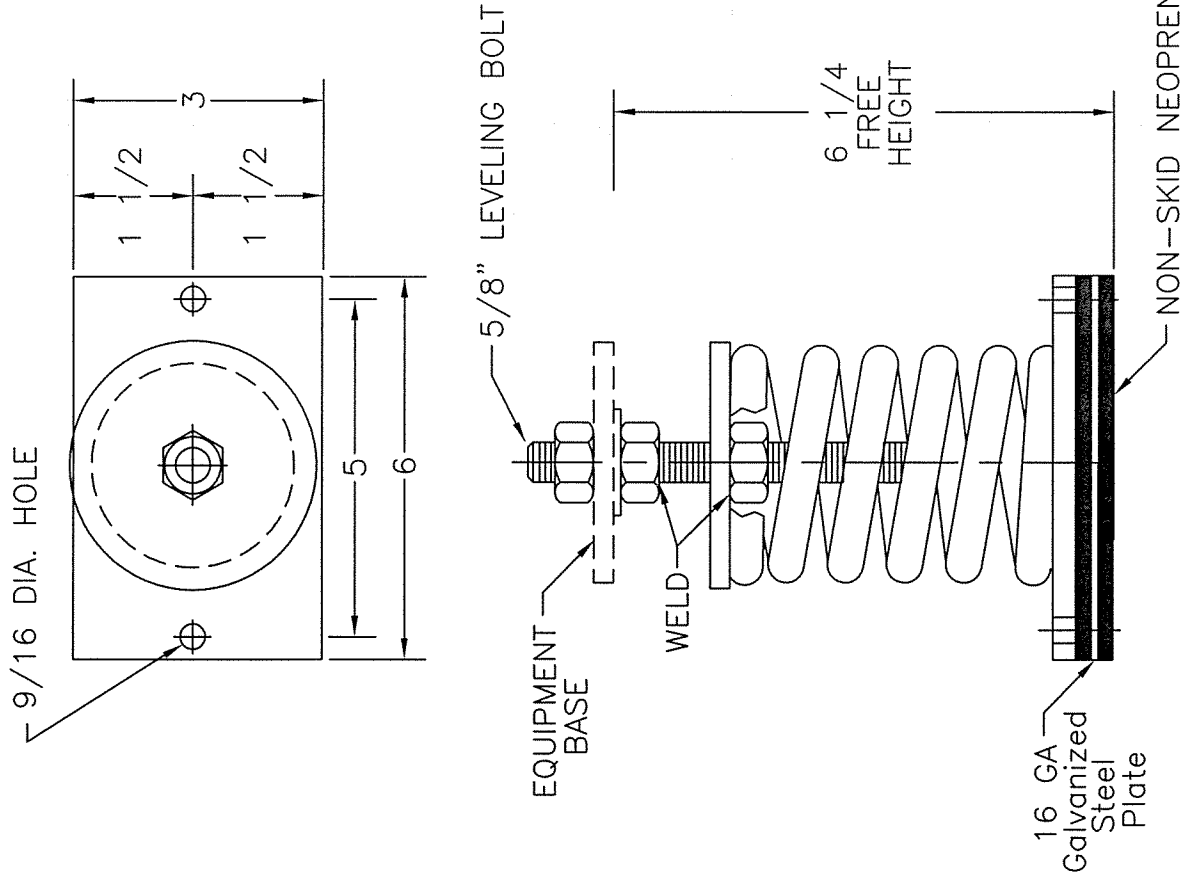
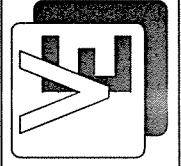


TYPE "OST3" SPRING ISOLATOR



ISOLATOR TYPE	COLOR	RATED LOAD	RATED DEFL.
OST3	SILVER	155 #	1.85"
	YELLOW	220 #	1.70"
	RED	310 #	1.55
	WHITE	420 #	1.40"
	GREEN	540 #	1.25"
	BLUE	710 #	1.15"
	ORANGE	900 #	1.05"
	GOLD	1030 #	1.00"
	RED/SILVER	1275 #	1.00"
	RED/YELLOW	1630 #	1.00"
	RED/WHITE	2100 #	1.00"
RED/GREEN	3000 #	1.00"	



VIBRATION ELIMINATOR CO. INC.
 15 Dixon Avenue
 Copiague, NY 11726
 TEL. (631)841-4000 FAX (631)841-0020

JOB : _____

CONTRACTOR : _____

P.O. NO. : _____

Dwg. No. _____