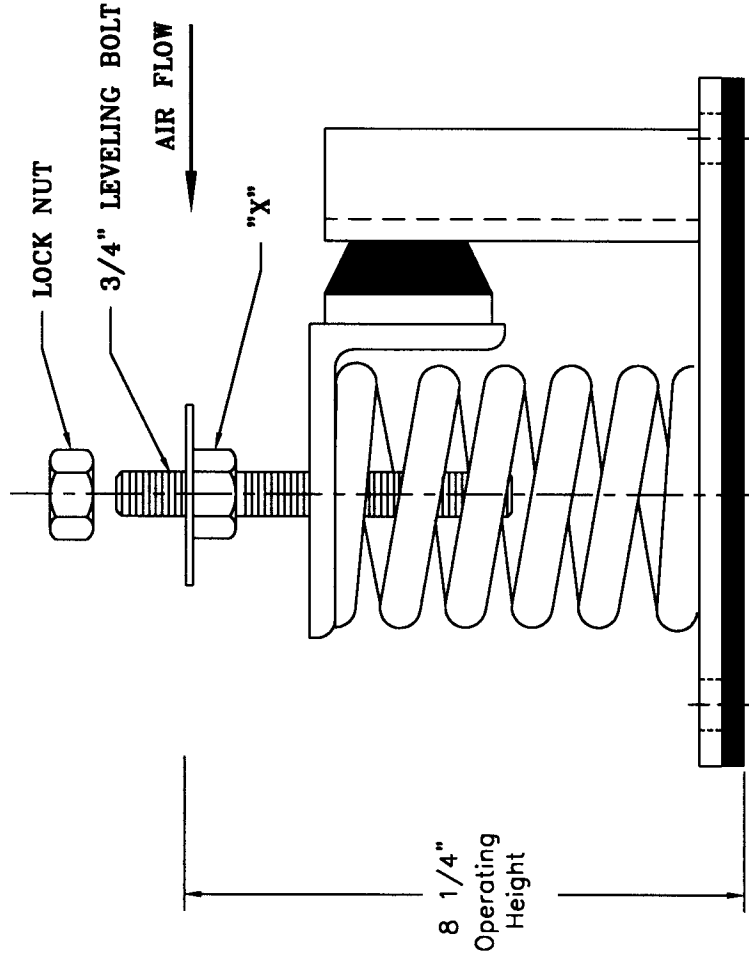
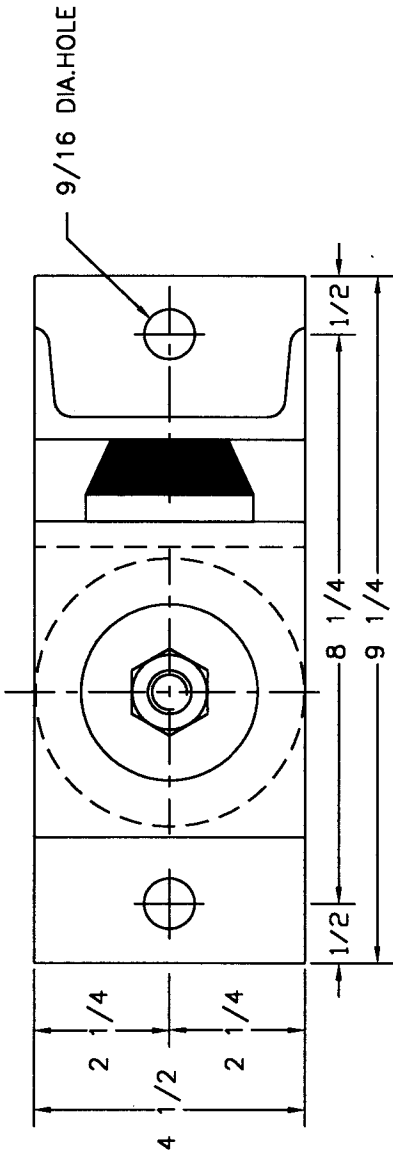


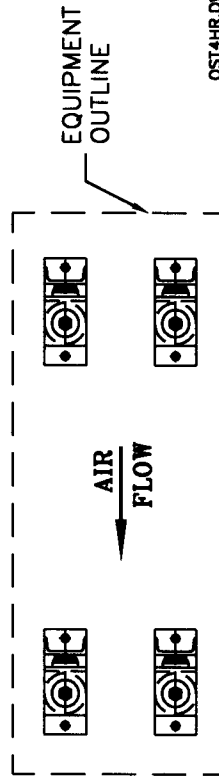
# TYPE "OST4HR" STABLE, FREE-STANDING SPRING WITH HORIZONTAL SNUBBER



8 1/4"  
Operating  
Height

## INSTALLATION INSTRUCTIONS

1. POSITION ISOLATORS UNDER THE EQUIPMENT AND VERTICALLY ALIGN SO THAT FASTENING TO THE EQUIPMENT WILL NOT DISTORT THE SPRINGS. THE "OST" ISOLATORS MUST BE INSTALLED ON A LEVEL SURFACE.
2. PROCEED TO ADJUST THE ISOLATORS BY TURNING THE LEVELING NUT "X" COUNTER-CLOCKWISE SEVERAL TURNS AT A TIME ALTERNATELY ON EACH ISOLATOR UNTIL THE EQUIPMENT BEGINS TO RAISE. THEN LEVEL AS REQUIRED.
3. TURN LOCK NUT ONTO STUD AND SECURE FIRMLY IN PLACE AGAINST THE TOP OF THE EQUIPMENT LEG OR MOUNTING FRAME
4. ISOLATORS ARE NOW PROPERLY ADJUSTED AND READY FOR THE EQUIPMENT TO BE OPERATED.



OST4HR.DWG



VIBRATION ELIMINATOR CO. INC.  
15 Dixon Avenue  
Copiague, NY 11726  
TEL. (631)841-4000 FAX (631)841-0020

JOB : \_\_\_\_\_  
CONTRACTOR : \_\_\_\_\_  
P.O. NO. : \_\_\_\_\_

Dwg. No. \_\_\_\_\_

ISOLATOR TYPE	COLOR CODE	RATED LOAD	RATED DEFL.
OST4HR { F50 F51 F52 F53 F54 F55 F56 F57 F58 F59 }	Silver	260 #	3.00"
	Yellow	400 #	2.80"
	Red	555 #	2.58"
	White	690 #	2.42"
	Green	840 #	2.28"
	Blue	1025 #	2.13"
	Orange	1220 #	2.00"
	Gold	1730 #	2.16"
	Red/Sil	2340 #	2.00"
	Red/Yel	3000 #	2.00"