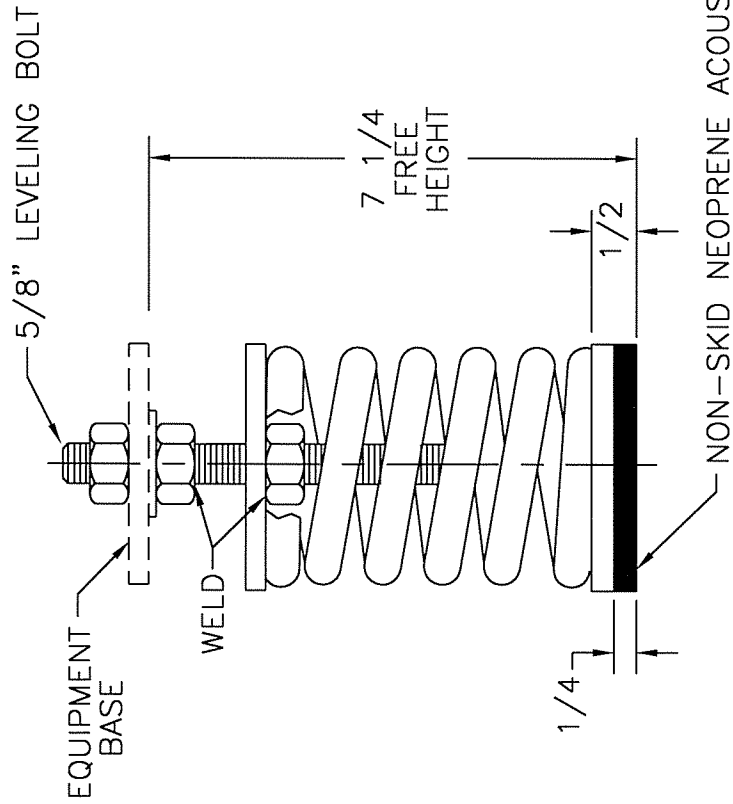
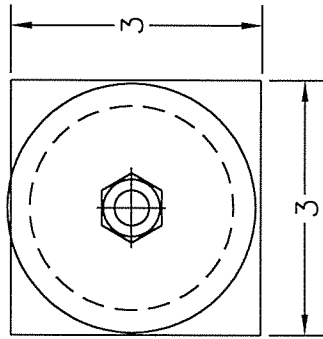
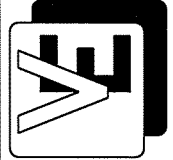


# TYPE "OST6 SP" SPRING ISOLATOR



ISOLATOR TYPE	COLOR	RATED LOAD	RATED DEFL.
OST6 SP	SILVER	40 #	2.00"
	YELLOW	80 #	2.00"
	RED	120 #	2.00"
	GREEN	180 #	2.00"
	BLUE	250 #	2.00"
	ORANGE	350 #	2.00"
	GOLD	500 #	2.00"
	WHITE	715 #	2.00"
	RED/SILVER	945 #	2.00"
	RED/YELLOW	1119 #	2.00"



**VIBRATION ELIMINATOR CO. INC.**  
 15 Dixon Avenue  
 Copiague, NY 11726  
 TEL. (631)841-4000 FAX (631)841-0020

JOB : \_\_\_\_\_  
 CONTRACTOR : \_\_\_\_\_  
 P.O. NO. : \_\_\_\_\_

Dwg. No. \_\_\_\_\_