



JOB: \_\_\_\_\_

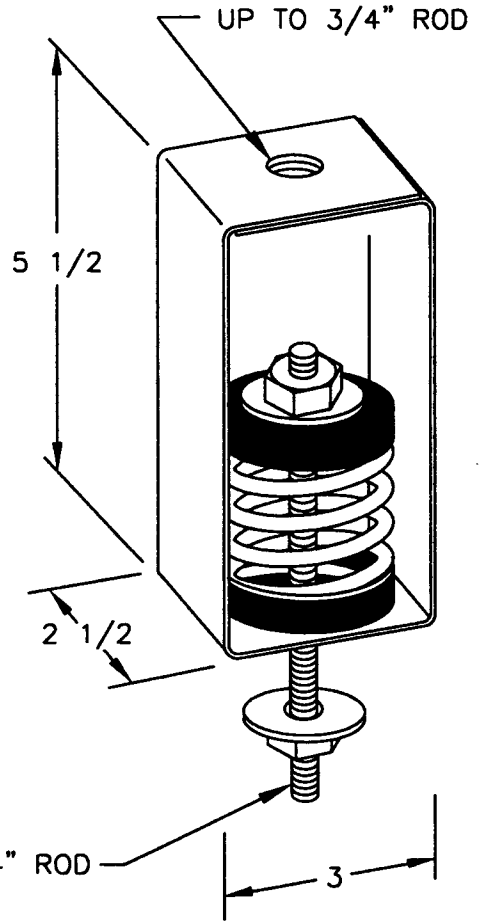
CONTRACTOR: \_\_\_\_\_

P.O. NO. \_\_\_\_\_

**TYPE "PCS2" PRECOMPRESSED SPRING HANGER**

ISOLATOR TYPE	COLOR CODE	RATED LOAD	RATED DEFL.	
PCS2	F21	Yellow	40#	1.00"
	F22	Red	100#	1.00"
	F23	White	150#	1.00"
	F24	Green	210#	1.00"
	F25	Blue	300#	1.00"
	F26	Orange	400#	1.00"
	F27	Brown	500#	1.00"

{ METAL HANGER BOX }  
{ ZINC ELECTRO-PLATED }



- Note: 1. Metal hanger box zinc electro-plated.  
2. All hangers are designed to allow as much as a 30° angular rod misalignment.

**VIBRATION ELIMINATOR CO. INC.**

15 Dixon Avenue

Copiapue, NY 11726

PH. (631)841-4000 FAX (631)841-0020

Rev.

Rev.

Date:

Dwg. No.: