



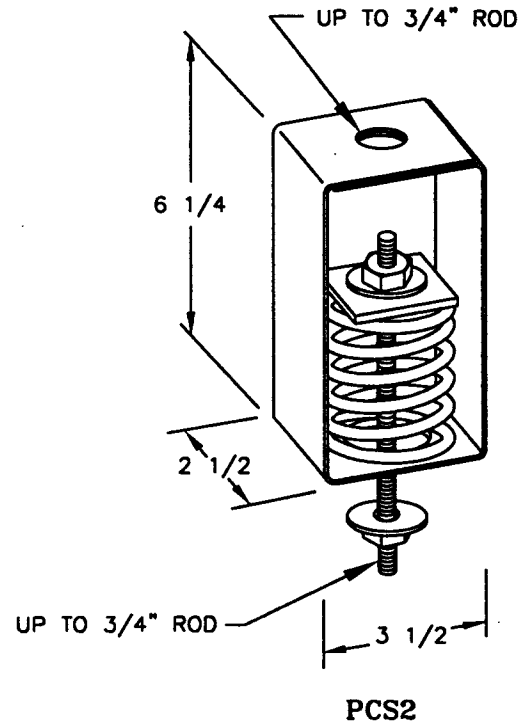
JOB: _____

CONTRACTOR: _____

P.O. NO. _____

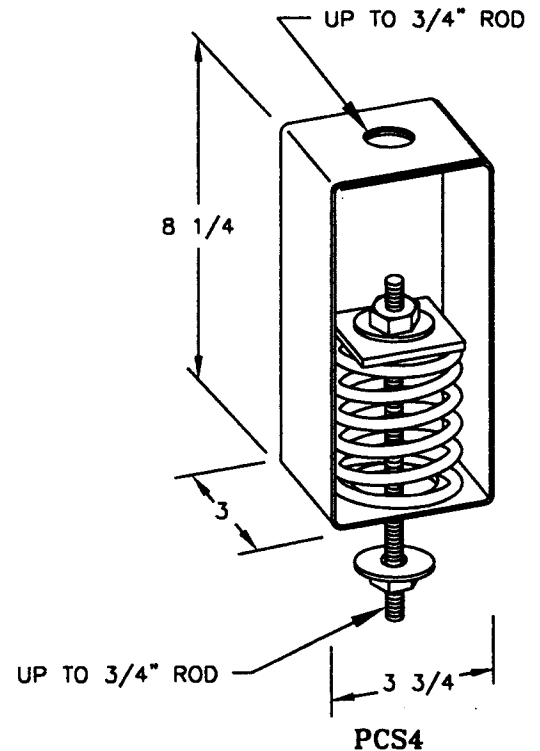
TYPE "PCS2" & "PCS4" PRECOMPRESSED SPRING HANGER

ISOLATOR TYPE	COLOR CODE	RATED LOAD	RATED DEFL.
PCS2	5 GREEN	530 #	0.80"
	6 BLUE	750 #	0.75"
	7 ORANGE	1125 #	0.75"
	8 GOLD	1500 #	0.75"
PCS4	F30 SILVER	155 #	1.85"
	F31 YELLOW	220 #	1.70"
	F32 RED	310 #	1.55"
	F33 WHITE	420 #	1.40"
	F34 GREEN	540 #	1.25"
	F35 BLUE	710 #	1.15"
	F36 ORANGE	900 #	1.05"
	F37 GOLD	1030 #	1.00"
	F38 RED/SILVER	1275 #	1.00"
	F39 RED/YELLOW	1630 #	1.00"



PCS2

Note: All hangers are designed to allow as much as a 30° angular rod misalignment.



PCS4

VIBRATION ELIMINATOR CO. INC.

15 Dixon Avenue

Copioague, NY 11726

PH. (631) 841-4000 FAX (631) 841-0020

Rev.

Rev.

Date:

Dwg. No.: