



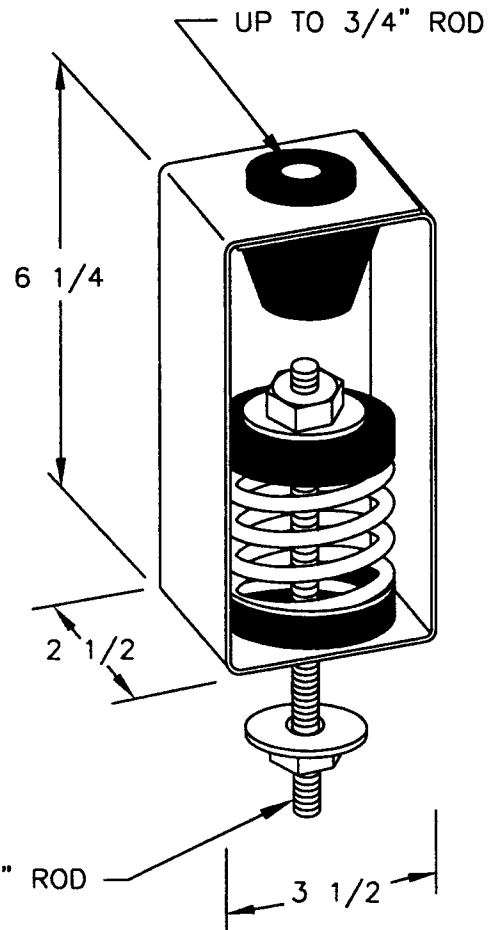
JOB: \_\_\_\_\_

CONTRACTOR: \_\_\_\_\_

P.O. NO. \_\_\_\_\_

**TYPE "PCSR2" PRECOMPRESSED SPRING & NEOPRENE HANGER**

ISOLATOR TYPE	COLOR CODE	RATED LOAD	RATED DEFL.	
PCSR2	F21	Yellow	40 #	1.25"
	F22	Red	100 #	1.25"
	F23	White	150 #	1.25"
	F24	Green	210 #	1.25"
	F25	Blue	300 #	1.25"
	F26	Orange	400 #	1.25"
	F27	Brown	500 #	1.25"



- Note: 1. Metal hanger box zinc electro-plated.  
 2. All hangers are designed to allow as much as a 30° angular rod misalignment.

**VIBRATION ELIMINATOR CO. INC.**

15 Dixon Avenue

Copioque, NY 11726

PH. (631) 841-4000 FAX (631) 841-0020

Rev.

Rev.

Date:

Dwg. No.: