



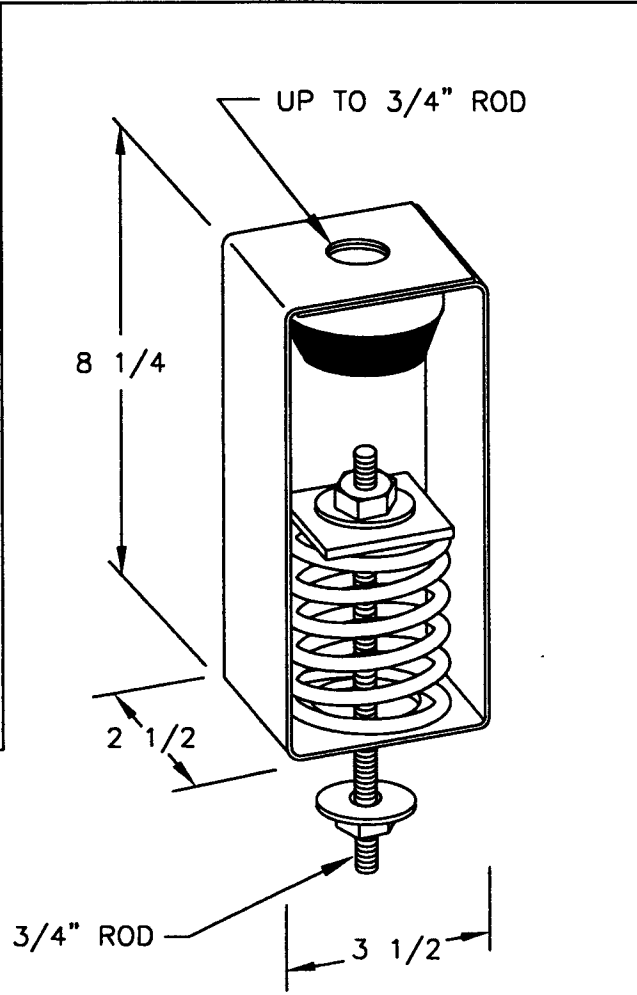
JOB: _____

CONTRACTOR: _____

P.O. NO. _____

TYPE "PCSR" PRECOMPRESSED SPRING & NEOPRENE HANGER

ISOLATOR TYPE	COLOR CODE	RATED LOAD	RATED DEFL.
PCSR2	5 GREEN	530 #	1.05"
	6 BLUE	750 #	1.00"
	7 ORANGE	1125 #	1.00"
	8 GOLD	1500 #	1.00"
PCSR4	F30 SILVER	155 #	2.10"
	F31 YELLOW	220 #	1.95"
	F32 RED	310 #	1.80"
	F33 WHITE	420 #	1.65"
	F34 GREEN	540 #	1.50"
	F35 BLUE	710 #	1.40"
	F36 ORANGE	900 #	1.30"
	F37 GOLD	1030 #	1.25"
	F38 RED/SILVER	1275 #	1.25"
	F39 RED/YELLOW	1630 #	1.25"



Note: All hangers are designed to allow as much as a 30° angular rod misalignment.

VIBRATION ELIMINATOR CO. INC.
 15 Dixon Avenue
 Copiague, NY 11726
 TEL. (631) 841-4000 FAX (631) 841-0020

Rev.	
Rev.	
Date:	Dwg. No.: