



JOB: _____

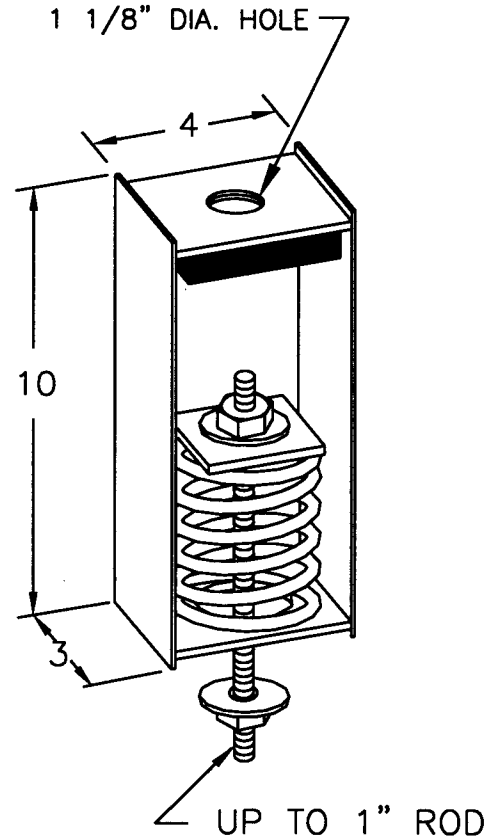
CONTRACTOR: _____

P.O. NO. _____

TYPE "PCSR4" PRECOMPRESSED SPRING & NEOPRENE HANGER

ISOLATOR TYPE	COLOR CODE	RATED LOAD	RATED DEFL.
PCSR4	F40	2100#	1.25"
	F41	3000#	1.25"

Note: All hangers are designed to allow as much as a 30° angular rod misalignment.



VIBRATION ELIMINATOR CO. INC.

15 Dixon Avenue

Copiapue, NY 11726

PH. (631) 841-4000 FAX (631) 841-0020

Rev. _____

Rev. _____

Date: _____

Dwg. No.: _____