



JOB: \_\_\_\_\_

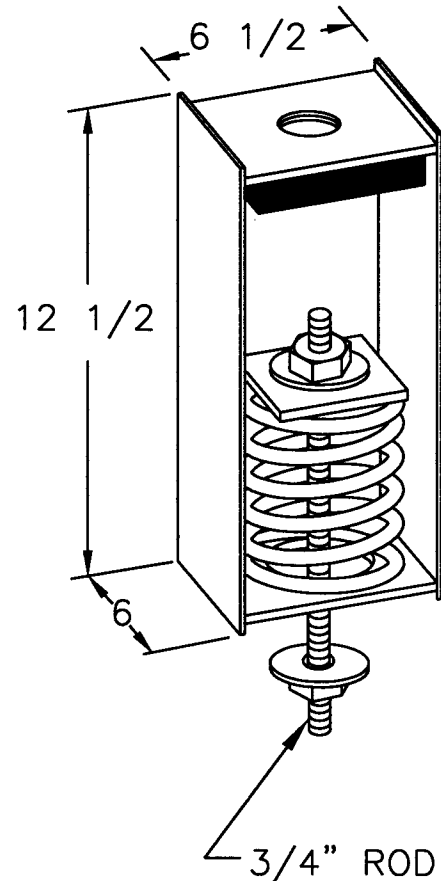
CONTRACTOR: \_\_\_\_\_

P.O. NO. \_\_\_\_\_

## TYPE "PCSR9" PRECOMPRESSED SPRING & NEOPRENE HANGER

ISOLATOR TYPE	COLOR	RATED LOAD	RATED DEFL.	
PCSR9	F91	SILVER	420 #	4.20"
	F92	YELLOW	820 #	4.10"
	F93	RED	1268 #	3.90"
	F94	WHITE	1512 #	3.60"
	F95	GREEN	1785 #	3.50"
	F96	BLUE	1980 #	3.50"
	F97	ORANGE	2100 #	3.30"
	F98	GOLD	2240 #	3.30"

Note: All hangers are designed to allow as much as a 30° angular rod misalignment.



**VIBRATION ELIMINATOR CO. INC.**

15 Dixon Avenue

Copioague, NY 11726

PH. (631)841-4000 FAX (631)841-0020

Rev.

Rev.

Date:

Dwg. No.: