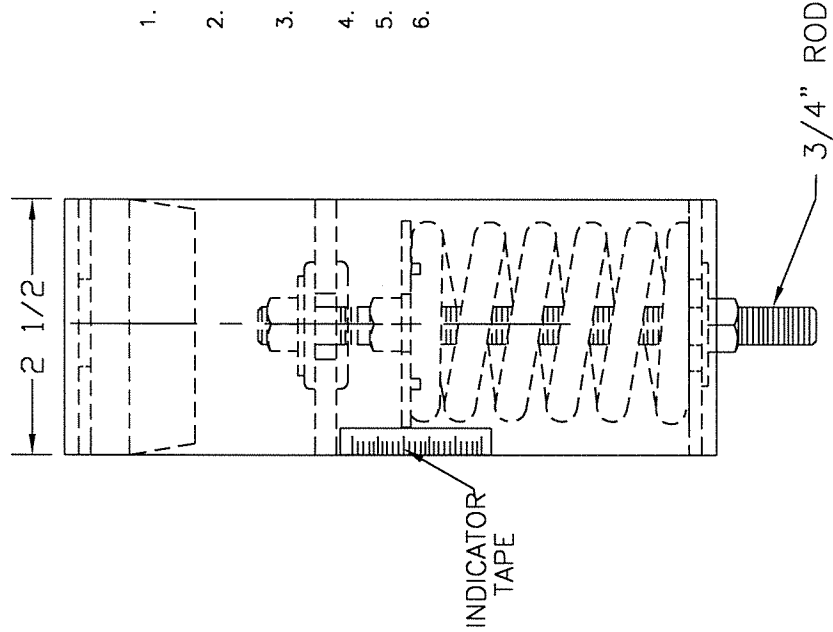
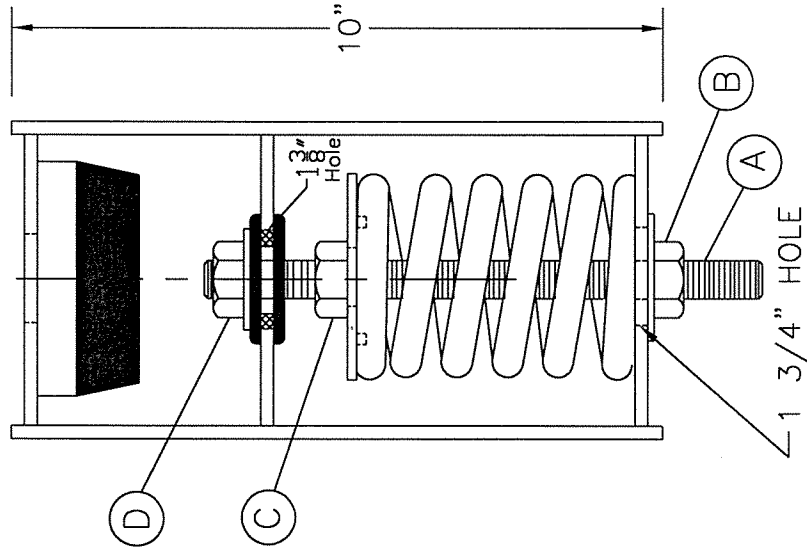
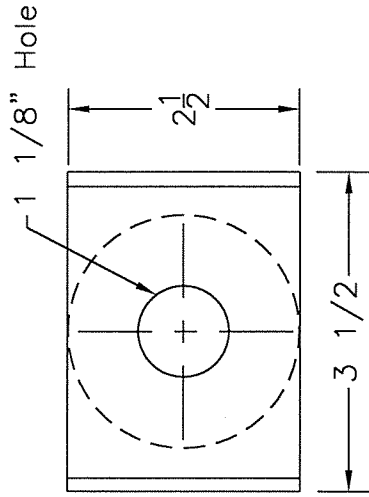


TYPE "PR2" PREDEFLECTED SPRING AND NEOPRENE HANGER

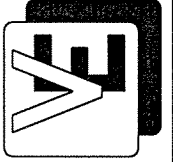


ISOLATOR TYPE	COLOR CODE	RATED LOAD	RATED DEFL.
PR2 {	5	530#	1.05"
	6	750#	1.00"
	7	1125#	1.00"
	8	1500#	1.00"

INSTALLATION INSTRUCTIONS

1. INSERT THREAD ROD (BY OTHERS) THRU TOP OF HANGER AND AFFIX HUT.
2. CONNECT BOLT "A" TO EQUIPMENT OR THREAD ROD (BY OTHERS), STOP NUT "D" WILL SUPPORT LOAD.
3. AFTER SYSTEM HAS BEEN COMPLETELY LOADED AND LEVELED, LOOSEN NUT "B".
4. ADJUST NUT "C" UNTIL NUT "D" IS FREE.
5. REMOVE NUT "D" AND DISCARD.
6. ISOLATORS ARE NOW PROPERLY ADJUSTED.

JOB : _____
 CONTRACTOR : _____
 P.O. NO. : _____



VIBRATION ELIMINATOR CO. INC.
 15 Dixon Avenue
 Copiogue, NY 11726
 TEL. (631)841-4000 FAX (631)841-0020

Dwg. No. _____