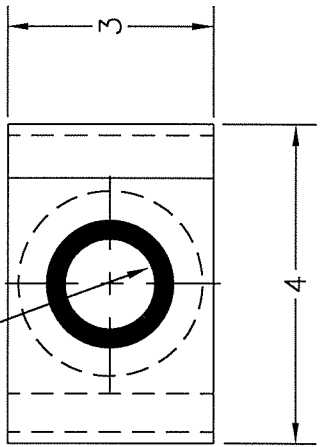
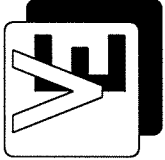
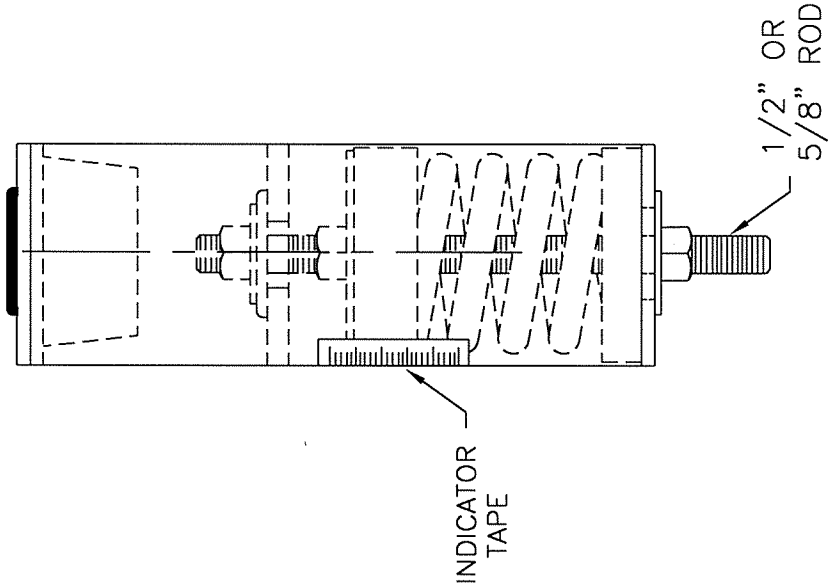
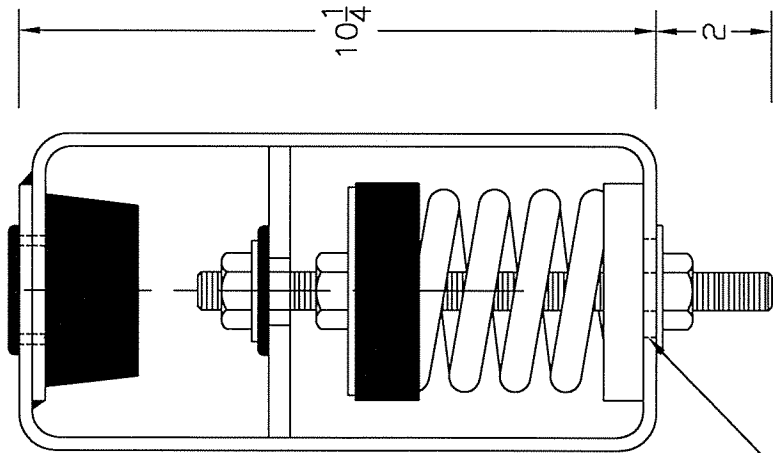


TYPE "PR2" PREDEFLECTED SPRING AND NEOPRENE HANGER

CLEARANCE FOR
3/4" DIA. ROD



ISOLATOR TYPE	COLOR CODE	RATED LOAD	RATED DEFL.
PR2 { F21 F22 F23 F24 F25 F26 F27 }	Yellow	40 #	1.25"
	Red	100 #	1.25"
	White	150 #	1.25"
	Green	210 #	1.25"
	Blue	300 #	1.25"
	Orange	400 #	1.25"
	Brown	500 #	1.25"



VIBRATION ELIMINATOR CO. INC.
15 Dixon Avenue
Copiague, NY 11726
TEL. (631)841-4000 FAX (631)841-0020

Dwg. No.