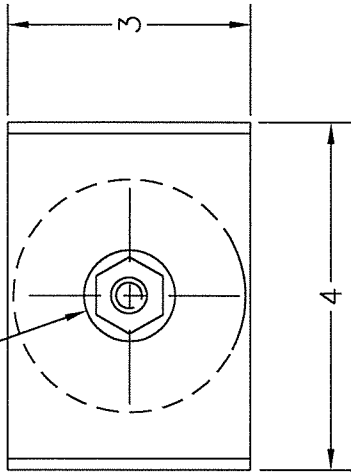


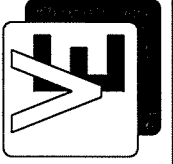
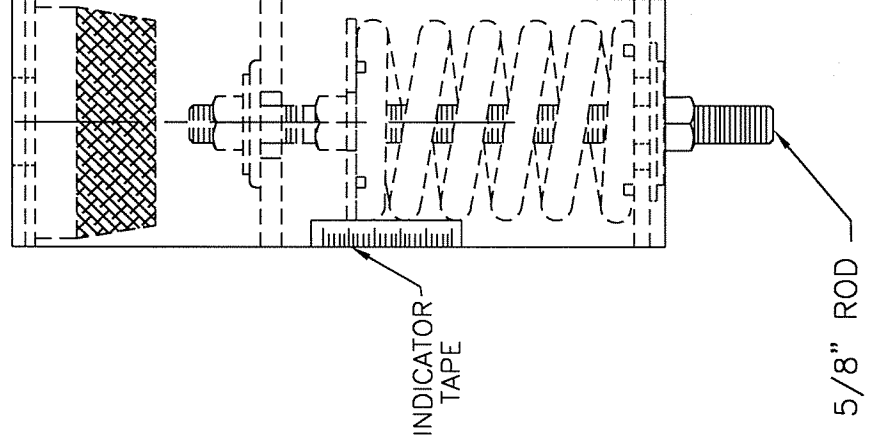
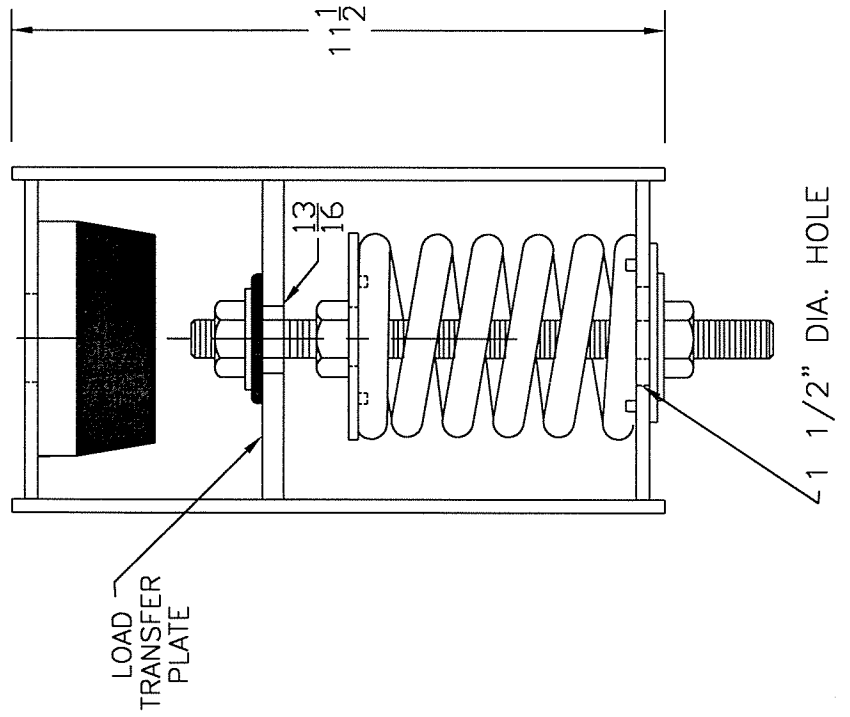
TYPE "PR4" SPRING AND NEOPRENE HANGER

CLEARANCE FOR
3/4" DIA. ROD



MODEL NUMBER	COLOR CODE	RATED LOAD	RATED DEFL.
F30	SILVER	155 #	2.10"
F31	YELLOW	220 #	1.95"
F32	RED	310 #	1.80"
F33	WHITE	420 #	1.65"
F34	GREEN	540 #	1.50"
F35	BLUE	710 #	1.40"
F36	ORANGE	900 #	1.30"
F37	GOLD	1030 #	1.25"
F38	RED/SILVER	1275 #	1.25"
F39	RED/YELLOW	1630 #	1.25"

PR4



VIBRATION ELIMINATOR CO. INC.
15 Dixon Avenue
Copiague, NY 11726
TEL. (631)841-4000 FAX (631)841-0020

Dwg. No.