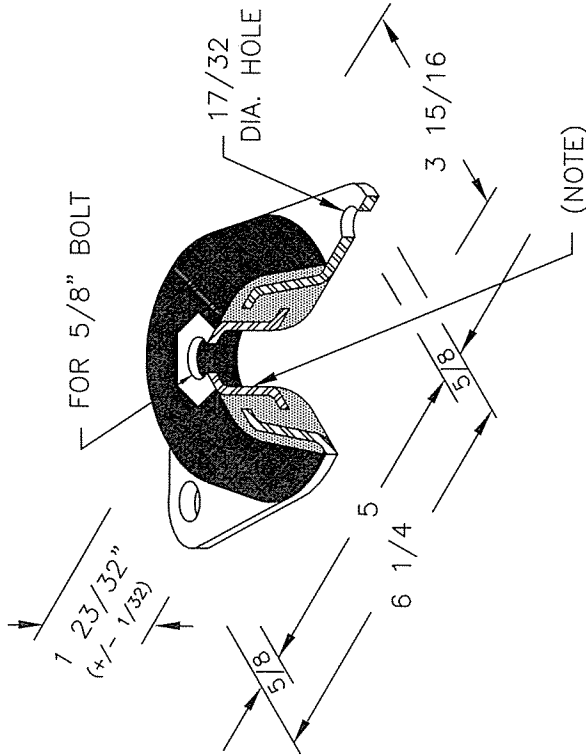


**pcs** "R-62" (70 DURO) MOUNTS

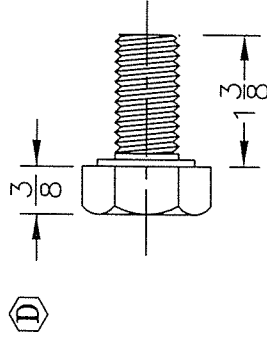
NNS PART NO.: 15147026

7-3-2002/Newport News issued a new Part Number.

Durometer	K Value (lbs./in.)	Max. Recommended Deflection	Load in lbs. @ Max. Deflection
40	4150	.125"	525
50	8300	.125"	1000
60	10000	.125"	1250
70	15600	.125"	1950



SPECIAL-STAINLESS STEEL BOLT



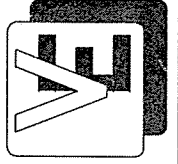
**QTY. REQ'D =**            **pcs**

**SPEC:** 5/8"-11 UNC-2A HEX MACHINE BOLT WITH WASHER FACE.

**MATERIAL:** - (304) STAINLESS STEEL  
 - FULL THREAD TO WITHIN 3-4 USUABLE THREADS FROM HEAD.

PARTS R-62-JOB2.DWG

NO.	REVISION	DATE
-	REV. FROM R12 TO R62	5/29/90
A	TO FIT 5/8 BOLT SNUG	4/16/93
B	ADDED 5/8" HEAVY HEX NOTE	6/20/96
C	ADDED STAINLESS STEEL BOLT	2/26/99
D	REV. HEX THICKNESS FROM 5/8"	5/27/02



VIBRATION ELIMINATOR CO. INC.  
 15 Dixon Avenue  
 Copiague, NY 11726  
 PH. (631)841-4000 FAX (631)841-0020

Dwg. No. **MY90291D**

**NOTE:** INTERNAL BOLT RETAINER EARS, TIGHTLY SURROUND THE SPECIAL HEX BOLT HEAD.

**TYPE "R-62" ALL-DIRECTIONAL MOUNT**  
 (REPLACES THE "R-12")  
 CUSTOMER: NEWPORT NEWS SHIPBUILDING (NORTHROP GRUMMAN)

P.O. NO.: \_\_\_\_\_ **VECO NO.:** \_\_\_\_\_