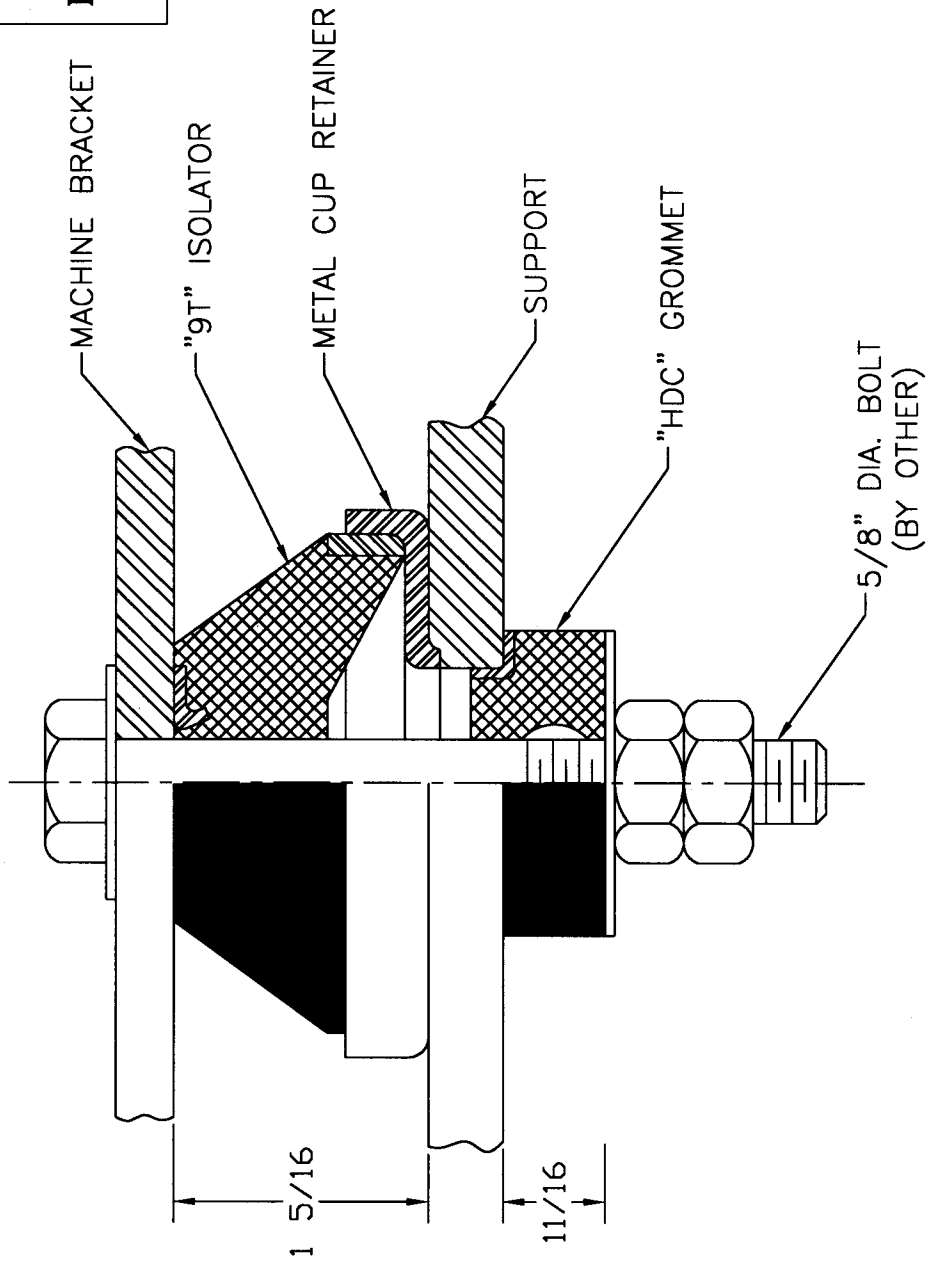


"RCW" NEOPRENE ASSEMBLY

Model Number	Color Code	Rated Load	Rated Defl.
RCW	White	150	.25"
	Green	350	
	Blue	550	
	Orange	900	



RCW.DWG.



VIBRATION ELIMINATOR CO. INC.
 15 Dixon Avenue
 Copiague, NY 11726
 PH. (631)841-4000 FAX (631)841-0020

JOB : _____

CONTRACTOR : _____

P.O. NO. : _____

Dwg. No. _____