



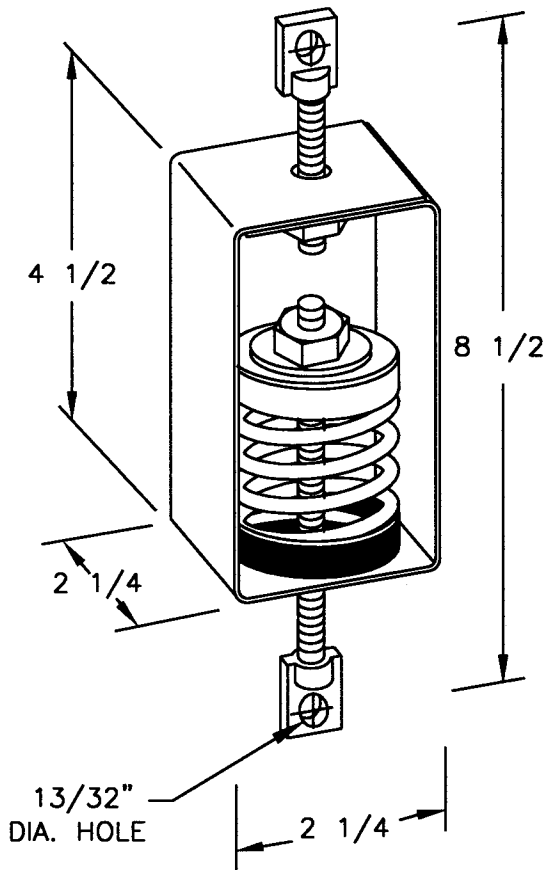
JOB: \_\_\_\_\_

CONTRACTOR: \_\_\_\_\_

P.O. NO. \_\_\_\_\_

## TYPE "SNC1E" SPRING HANGERS WITH EYE SOCKET

ISOLATOR TYPE	COLOR CODE	RATED LOAD	RATED DEFL.	
SNC1E	C20	RED	30#	1.0"
	C21	GREEN	60#	1.0"
	C22	BLUE	100#	1.0"
	C23	YELLOW	200#	1.0"



**Note:**

1. All hangers are designed to allow as much as a 30° angular rod misalignment.
2. Entire metal hanger box zinc-electroplated.

**VIBRATION ELIMINATOR CO. INC.**

15 Dixon Avenue

Copioque, NY 11726

TEL. (631) 841-4000 FAX (631) 841-0020

Rev.

Rev.

Date:

Dwg. No.: