



JOB: _____

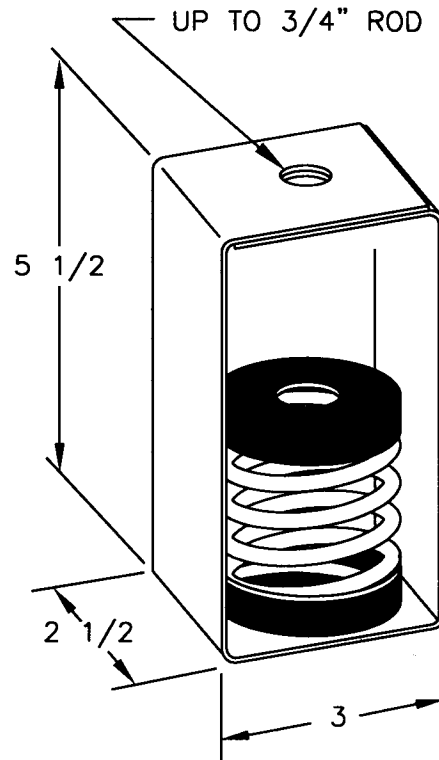
CONTRACTOR: _____

P.O. NO. _____

TYPE "SNC2" SPRING HANGER

ISOLATOR TYPE	COLOR CODE	RATED LOAD	RATED DEFL.	
SNC2	F21	Yellow	40#	1.00"
	F20A	Silver	70#	1.00"
	F22	Red	100#	1.00"
	F23	White	150#	1.00"
	F24	Green	210#	1.00"
	F25	Blue	300#	1.00"
	F26	Orange	400#	1.00"
	F27	Brown	500#	1.00"

{ METAL HANGER BOX
ZINC ELECTRO-PLATED }



Note: All hangers are designed to allow as much as a 30° angular rod misalignment.

VIBRATION ELIMINATOR CO. INC.

15 Dixon Avenue
Copiague, NY 11726

TEL. (631) 841-4000 FAX (631) 841-0020

Rev.		
Rev.		
Date:		Dwg. No.: