

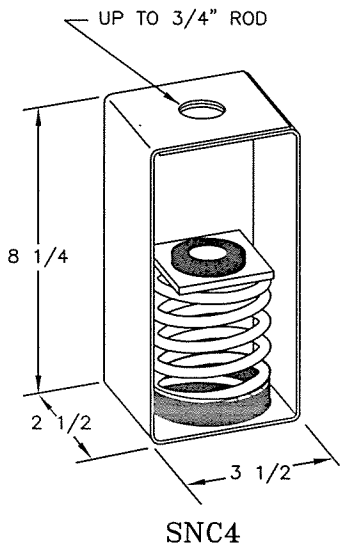
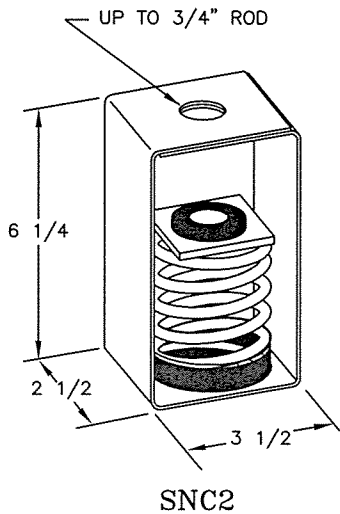


JOB: \_\_\_\_\_

CONTRACTOR: \_\_\_\_\_

P.O. NO. \_\_\_\_\_

## TYPE "SNC2" & "SNC4" SPRING HANGERS



ISOLATOR TYPE	COLOR CODE	RATED LOAD	RATED DEFL.	
SNC2	5	Green	530#	.80"
	6	Blue	750#	.75"
	7	Orange	1125#	.75"
	8	Gold	1500#	.75"
SNC4	F30	Silver	155#	1.85"
	F31	Yellow	220#	1.70"
	F32	Red	310#	1.55"
	F33	White	420#	1.40"
	F34	Green	540#	1.25"
	F35	Blue	710#	1.15"
	F36	Orange	900#	1.05"
	F37	Gold	1030#	1.00"
	F38	Red/Silver	1275#	1.00"
	F39	Red/Yellow	1630#	1.00"

**Note:**

All springs are powder coated.  
 All springs are designed to provide additional travel of 50% of rated load.  
 Hanger bracket is zinc plated.  
 Hanger bracket will allow 30° rod misalignment.  
 Isolation hangers have a minimum Kx/Ky ratio of 0.8.  
 Isolation hangers have a neoprene bottom spring cup.

**VIBRATION ELIMINATOR CO. INC.**

15 Dixon Avenue  
 Copiague, NY 11726

TEL. (631) 841-4000 FAX (631) 841-0020

Rev.

Rev.

Date:

Dwg. No.: