

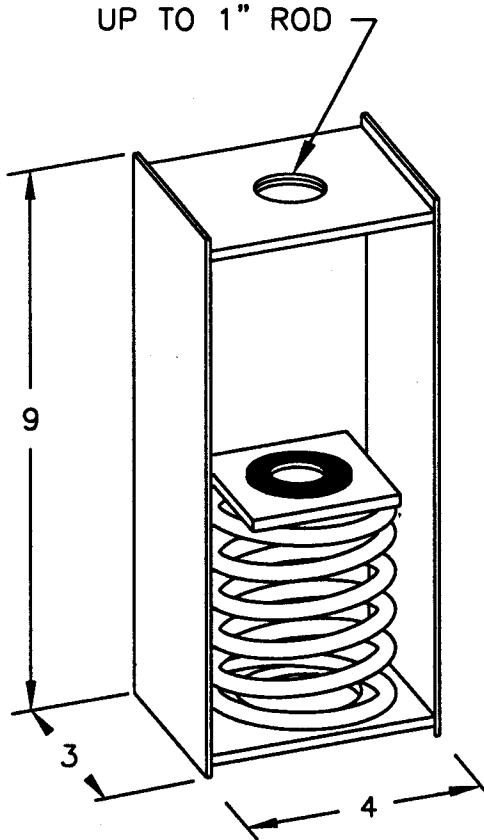


JOB: _____

CONTRACTOR: _____

P.O. NO. _____

TYPE "SNC4" SPRING HANGERS



ISOLATOR TYPE	COLOR CODE	RATED LOAD	RATED DEFL.	
SNC4	F40	Red/White	2100#	1.0"
	F41	Red/Green	3000#	1.0"

Note: All hangers are designed to allow as much as a 30° angular rod misalignment.

VIBRATION ELIMINATOR CO. INC.

15 Dixon Avenue

Copioague, NY 11726

PH. (631) 841-4000 FAX (631) 841-0020

Rev.

Rev.

Date:

Dwg. No.: