

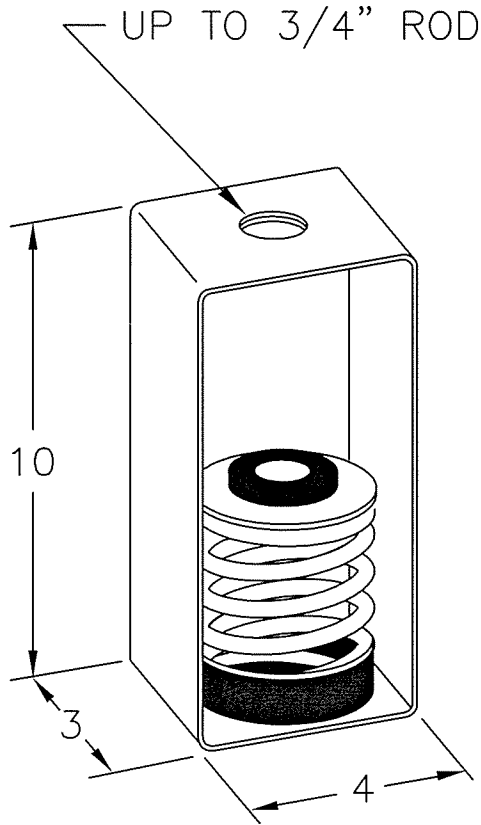


JOB: _____

CONTRACTOR: _____

P.O. NO. _____

TYPE "SNC6" SPRING HANGER



ISOLATOR TYPE	COLOR CODE	RATED LOAD	RATED DEFL.	
SNC6	F60	Silver	60 #	3.00"
	F61	Yellow	109 #	2.72"
	F62	Red	155 #	2.58"
	F63	Green	210 #	2.32"
	F64	Blue	275 #	2.20"
	F65	Orange	365 #	2.08"
	F66	Gold	500 #	2.00"
	F67	White	715 #	2.00"
	F68	Red/Silver	945 #	2.00"
	F69	Red/Yellow	1190 #	2.00"

Note:

All springs are powder coated.

All springs are designed to provide additional travel of 50% of rated load.

Hanger bracket is zinc plated.

Hanger bracket will allow 30° rod misalignment.

Isolation hangers have a minimum Kx/Ky ratio of 0.8.

Isolation hangers have a neoprene bottom spring cup.

VIBRATION ELIMINATOR CO. INC.

15 Dixon Avenue
Copiague, NY 11726

TEL. (631) 841-4000 FAX (631) 841-0020

Rev.		
Rev.		
Date:		Dwg. No.: