

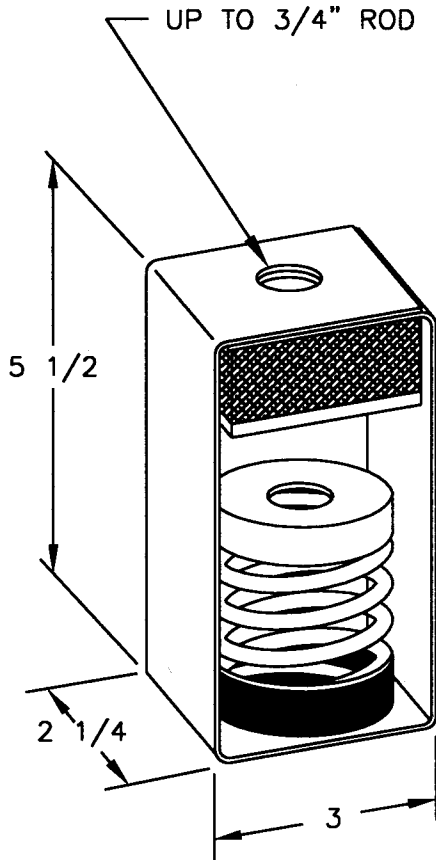


JOB: _____

CONTRACTOR: _____

P.O. NO. _____

TYPE "SNFC1" COMBINATION SPRING & FIBERGLASS HANGER



ISOLATOR TYPE	COLOR CODE	RATED LOAD	RATED DEFL.	
SNFC1	C20	RED	30#	1.25"
	C21	GREEN	60#	1.25"
	C22	BLUE	100#	1.25"
	C23	YELLOW	200#	1.25"

Note:

1. All hangers are designed to allow as much as a 30° angular rod misalignment.
2. Entire metal hanger box zinc-electroplated.

VIBRATION ELIMINATOR CO. INC.

15 Dixon Avenue
Copiague, NY 11726

TEL. (631) 841-4000 FAX (631) 841-0020

Rev.

Rev.

Date:

Dwg. No.: