



JOB: \_\_\_\_\_

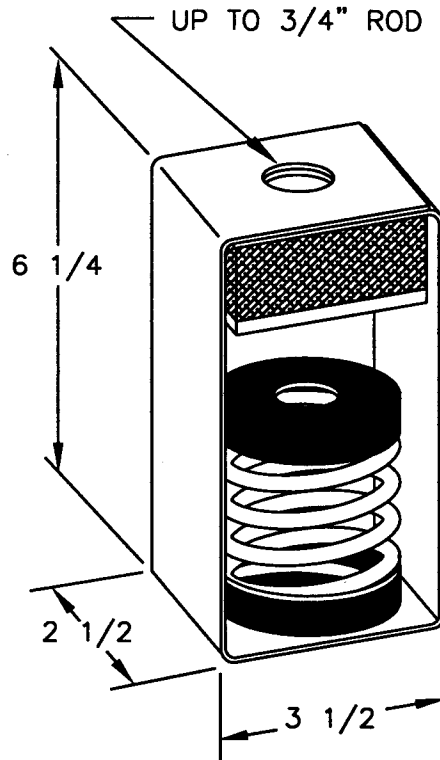
CONTRACTOR: \_\_\_\_\_

P.O. NO. \_\_\_\_\_

## TYPE "SNFC2" COMBINATION SPRING & FIBERGLASS HANGER

ISOLATOR TYPE	COLOR CODE	RATED LOAD	RATED DEFL.	
SNFC2	F21	Yellow	40#	1.25"
	F22	Red	100#	1.25"
	F23	White	150#	1.25"
	F24	Green	210#	1.25"
	F25	Blue	300#	1.25"
	F26	Orange	400#	1.25"
	F27	Brown	500#	1.25"

{ METAL HANGER BOX }  
{ ZINC ELECTRO-PLATED }



Note: All hangers are designed to allow as much as a 30° angular rod misalignment.

**VIBRATION ELIMINATOR CO. INC.**

15 Dixon Avenue

Copiapue, NY 11726

TEL. (631) 841-4000 FAX (631) 841-0020

Rev.

Rev.

Date:

Dwg. No.: