

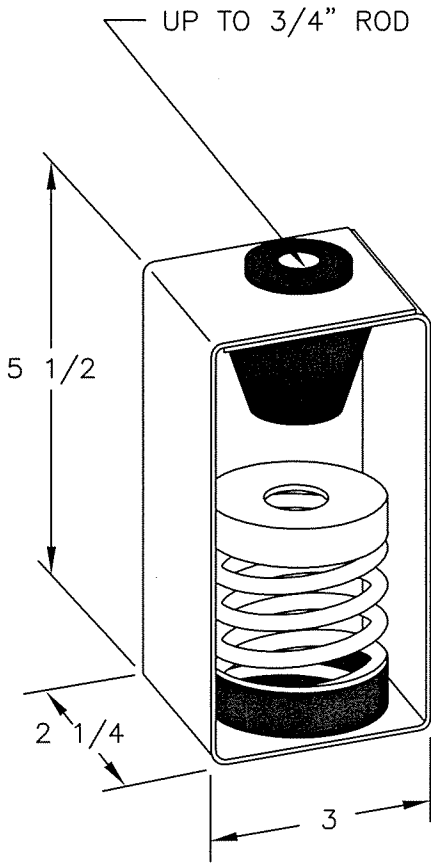


JOB: _____

CONTRACTOR: _____

P.O. NO. _____

TYPE "SNRC1" COMBINATION SPRING & NEOPRENE HANGER



ISOLATOR TYPE	COLOR CODE	RATED LOAD	RATED DEFL.	
SNRC1	C20	RED	30#	1.25"
	C21	GREEN	60#	1.25"
	C22	BLUE	100#	1.25"
	C23	YELLOW	200#	1.25"

Note:

All springs are powder coated.
 All springs are designed to provide additional travel of 50% of rated load.
 Hanger bracket is zinc plated.
 Hanger bracket will allow 30° rod misalignment.
 Isolation hangers have a minimum Kx/Ky ratio of 0.8.
 Isolation hangers have a neoprene bottom spring cup.

VIBRATION ELIMINATOR CO. INC.

15 Dixon Avenue
 Copiague, NY 11726

TEL. (631) 841-4000 FAX (631) 841-0020

Rev.		
Rev.		
Date:	Dwg. No.:	