

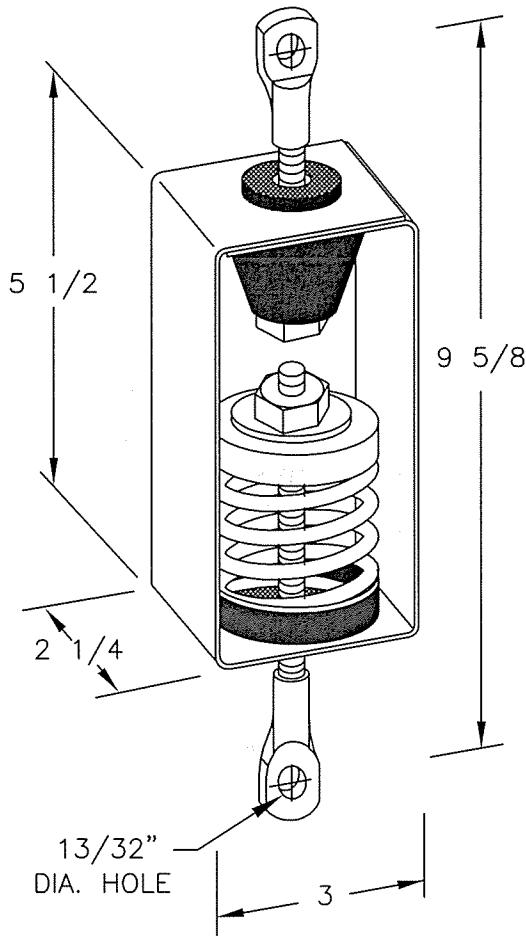


JOB: \_\_\_\_\_

CONTRACTOR: \_\_\_\_\_

P.O. NO. \_\_\_\_\_

**TYPE "SNRC1E" COMBINATION SPRING & NEOPRENE HANGER W/ EYE HOOKS**



ISOLATOR TYPE	COLOR CODE	RATED LOAD	RATED DEFL.	
SNRC1E	C20	RED	30#	1.25"
	C21	GREEN	60#	1.25"
	C22	BLUE	100#	1.25"
	C23	YELLOW	200#	1.25"

Note:

All springs are powder coated.

All springs are designed to provide additional travel of 50% of rated load.

Hanger bracket is zinc plated.

Hanger bracket will allow 30° rod misalignment.

Isolation hangers have a minimum Kx/Ky ratio of 0.8.

Isolation hangers have a neoprene bottom spring cup.



2-6-13

**VIBRATION ELIMINATOR CO. INC.**

15 Dixon Avenue

Copiapue, NY 11726

TEL. (631) 841-4000 FAX (631) 841-0020

Rev.

Rev.

Date:

Dwg. No.: