



JOB: \_\_\_\_\_

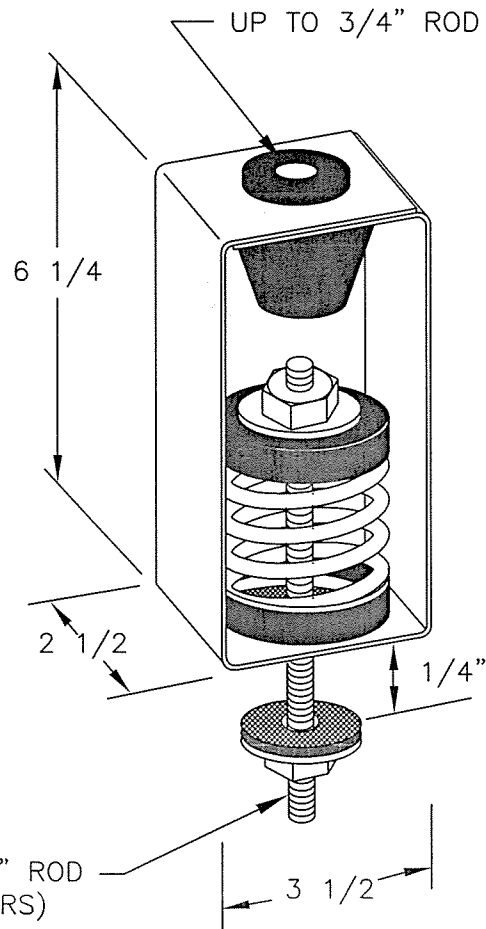
CONTRACTOR: \_\_\_\_\_

P.O. NO. \_\_\_\_\_

## TYPE "SNRC2" COMBINATION SPRING & NEOPRENE HANGER

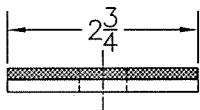
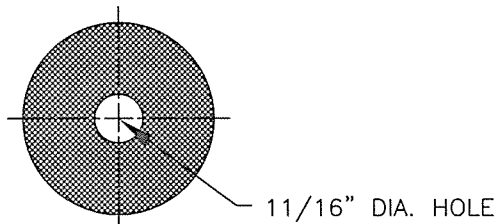
ISOLATOR TYPE	COLOR CODE	RATED LOAD	RATED DEFL.	
SNRC2	F21	Yellow	40 #	1.25"
	F22	Red	100 #	1.25"
	F23	White	150 #	1.25"
	F24	Green	210 #	1.25"
	F25	Blue	300 #	1.25"
	F26	Orange	400 #	1.25"
	F27	Brown	500 #	1.25"

{ METAL HANGER BOX }  
{ ZINC ELECTRO-PLATED }



**Note:**

All springs are powder coated.  
 All springs are designed to provide additional travel of 50% of rated load.  
 Hanger bracket is zinc plated.  
 Hanger bracket will allow 30° rod misalignment.  
 Isolation hangers have a minimum Kx/Ky ratio of 0.8.  
 Isolation hangers have a neoprene bottom spring cup.



UPSTOP

"VLS" UP-STOPS

VIBRATION ELIMINATOR CO. INC.

15 Dixon Avenue  
 Copiague, NY 11726

TEL. (631) 841-4000 FAX (631) 841-0020

Rev.	
Rev.	
Date:	Dwg. No.: