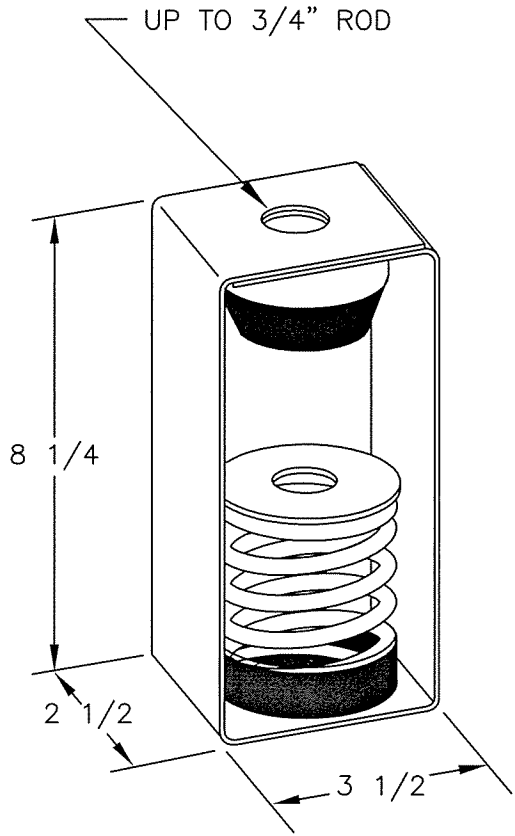




JOB: _____
 CONTRACTOR: _____
 P.O. NO. _____

TYPE "SNRC2" & "SNRC4" COMBINATION SPRING & NEOPRENE HANGERS



ISOLATOR TYPE	COLOR CODE	RATED LOAD	RATED DEFL.	
SNRC2	4	White	380#	1.05"
	5	Green	530#	1.05"
	6	Blue	750#	1.00"
	7	Orange	1125#	1.00"
	8	Gold	1500#	1.00"
SNRC4	F30	Silver	155#	2.10"
	F31	Yellow	220#	1.95"
	F32	Red	310#	1.80"
	F33	White	420#	1.65"
	F34	Green	540#	1.50"
	F35	Blue	710#	1.40"
	F36	Orange	900#	1.30"
	F37	Gold	1030#	1.25"
	F38	Red/Silver	1275#	1.25"
	F39	Red/Yellow	1630#	1.25"

Note:

All springs are powder coated.
 All springs are designed to provide additional travel of 50% of rated load.
 Hanger bracket is zinc plated.
 Hanger bracket will allow 30° rod misalignment.
 Isolation hangers have a minimum Kx/Ky ratio of 0.8.
 Isolation hangers have a neoprene bottom spring cup.

VIBRATION ELIMINATOR CO. INC.
 15 Dixon Avenue
 Copiague, NY 11726
 TEL. (631) 841-4000 FAX (631) 841-0020

Rev.		
Rev.		
Date:		Dwg. No.: