



JOB: _____

CONTRACTOR: _____

P.O. NO. _____

TYPE "SNRC2" COMBINATION SPRING & NEOPRENE HANGER

ISOLATOR TYPE	COLOR CODE	RATED LOAD	RATED DEFL.	
SNRC2-SST	F21	Yellow	40 #	1.25"
	F22	Red	100 #	1.25"
	F23	White	150 #	1.25"
	F24	Green	210 #	1.25"
	F25	Blue	300 #	1.25"
	F26	Orange	400 #	1.25"
	F27	Brown	500 #	1.25"

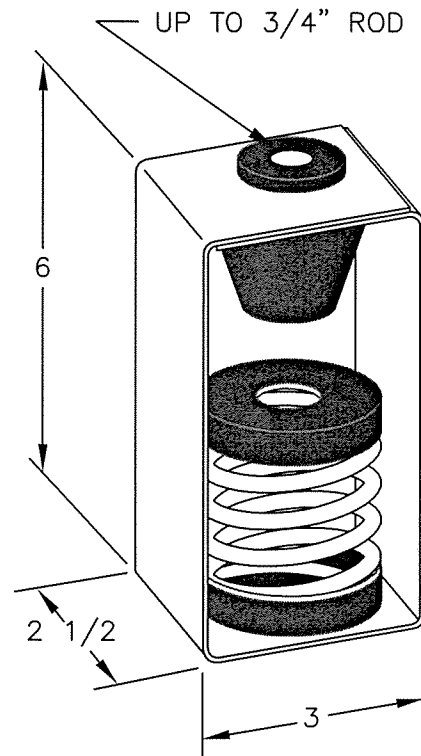
MATERIAL:

HANGER BRACKET - 304 SST

SPRING - 304 SST

Note:

1. All hangers are designed to allow as much as a 30° angular rod misalignment.
2. Hanger selections based on water filled pipe on 10 foot centers.



VIBRATION ELIMINATOR CO. INC.

15 Dixon Avenue
Copiague, NY 11726

TEL. (631) 841-4000 FAX (631) 841-0020

Rev.

Rev.

Date:

Dwg. No.: