

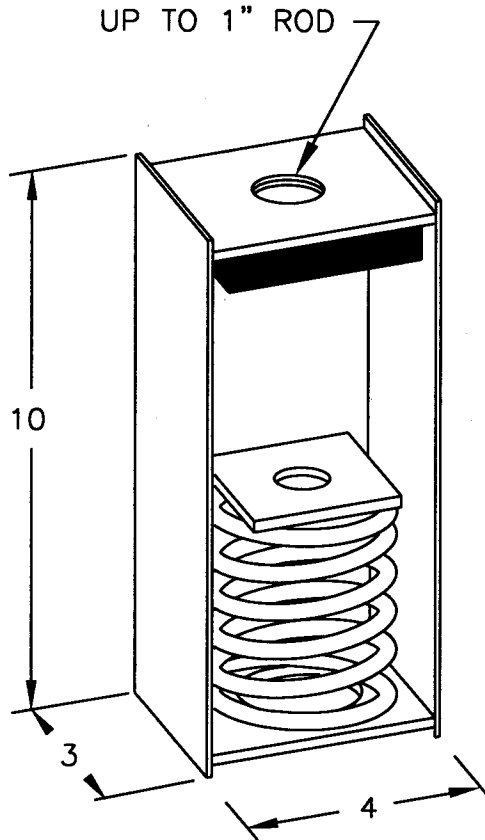


JOB: _____

CONTRACTOR: _____

P.O. NO. _____

TYPE "SNRC4" COMBINATION SPRING & NEOPRENE HANGERS



ISOLATOR TYPE	COLOR CODE	RATED LOAD	RATED DEFL.
SNRC4	F40	2100#	1.25"
	F41	3000#	1.25"

Note: All hangers are designed to allow as much as a 30° angular rod misalignment.

VIBRATION ELIMINATOR CO. INC.

15 Dixon Avenue

Copioque, NY 11726

PH. (631) 841-4000 FAX (631) 841-0020

Rev.

Rev.

Date:

Dwg. No.: