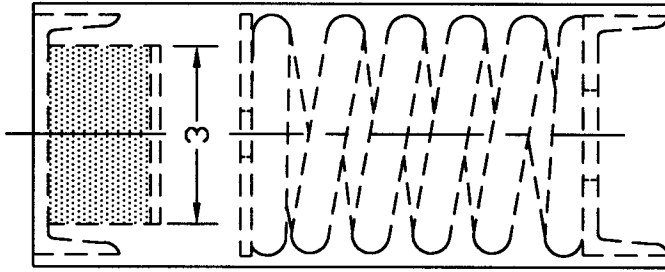
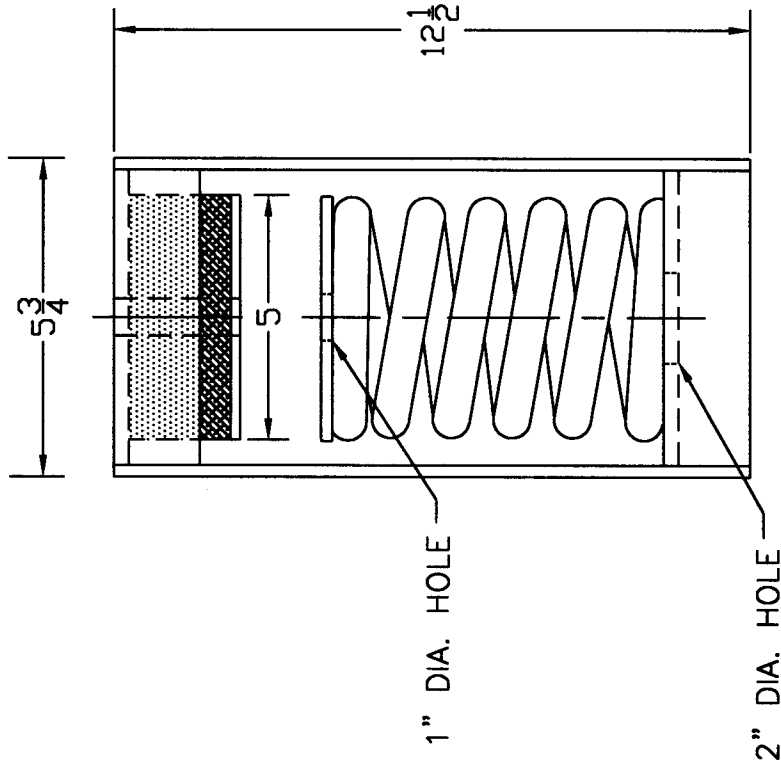
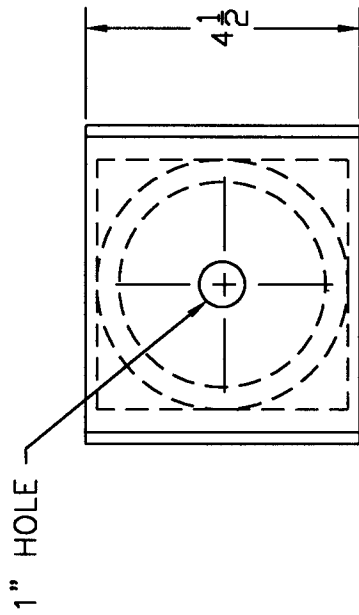


TYPE "SNRC5" NEOPRENE & SPRING HANGER

ISOLATOR TYPE	COLOR CODE	RATED LOAD	RATED DEFL.
SNRC5	F57	1600#	2.0"
	F58	2340#	2.0"
	F59	3000#	2.0"

Note:

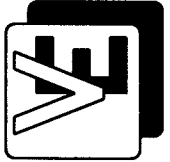
- All hangers are designed to allow as much as a 30° angular rod misalignment.
- Entire metal hanger box zinc-electroplated.



JOB : _____

CONTRACTOR : _____

P.O. NO. : _____



VIBRATION ELIMINATOR CO. INC.
 15 Dixon Avenue
 Copiague, NY 11726
 TEL. (531) 841-4000 FAX (531) 841-0020

Dwg. No. _____