

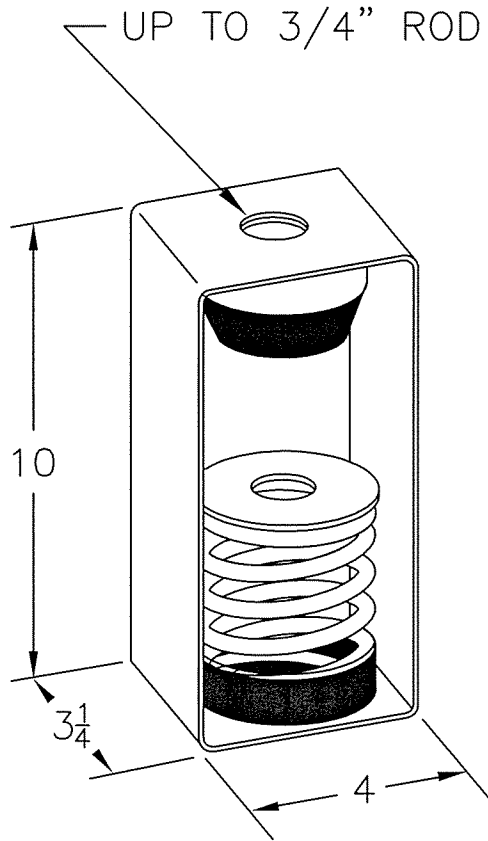


JOB: _____

CONTRACTOR: _____

P.O. NO. _____

TYPE "SNRC6" COMBINATION SPRING & NEOPRENE HANGER



ISOLATOR TYPE	COLOR CODE	RATED LOAD	RATED DEFL.	
SNRC6	F60	Silver	60#	3.25"
	F61	Yellow	109#	2.97"
	F62	Red	155#	2.83"
	F63	Green	210#	2.57"
	F64	Blue	275#	2.45"
	F65	Orange	365#	2.33"
	F66	Gold	500#	2.25"
	F67	White	715#	2.25"
	F68	Red/Silver	945#	2.25"
	F69	Red/Yellow	1190#	2.25"

Note:

All springs are powder coated.

All springs are designed to provide additional travel of 50% of rated load.

Hanger bracket is zinc plated.

Hanger bracket will allow 30° rod misalignment.

Isolation hangers have a minimum Kx/Ky ratio of 0.8.

Isolation hangers have a neoprene bottom spring cup.

VIBRATION ELIMINATOR CO. INC.

15 Dixon Avenue

Copioague, NY 11726

TEL. (631) 841-4000 FAX (631) 841-0020

Rev.

Rev.

Date:

Dwg. No.: