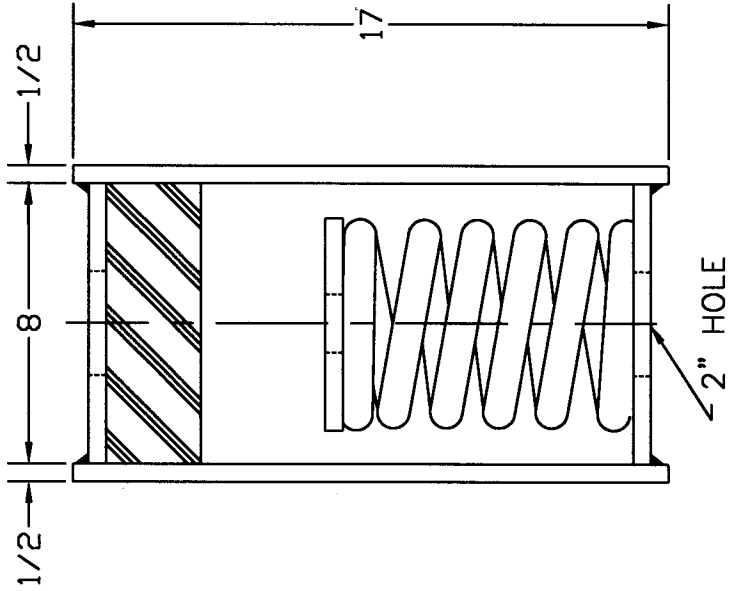
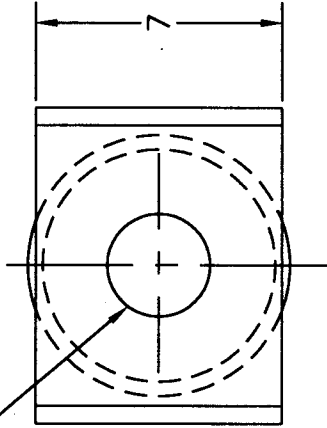
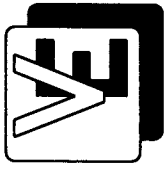


TYPE "SNRC7" NEOPRENE AND SPRING HANGER

← CLEARANCE FOR 1 1/8" DIA. ROD



ISOLATOR TYPE	COLOR	RATED LOAD	RATED DEFL.
SNRC7 { F71 F72 F73 F74 F75 F76 F77 F78 }	SILVER	355 #	6.15"
	YELLOW	770 #	5.55"
	RED	1080 #	5.25"
	WHITE	1470 #	5.00"
	GREEN	1960 #	4.75"
	BLUE	2575 #	4.45"
	ORANGE	3270 #	4.15"
	GOLD	4025 #	3.85"



VIBRATION ELIMINATOR CO. INC.
 15 Dixon Avenue
 Copiague, NY 11726
 TEL. (831) 841-4000 FAX (831) 841-0020

JOB : _____
 CONTRACTOR : _____
 P.O. NO. : _____

Dwg. No. _____