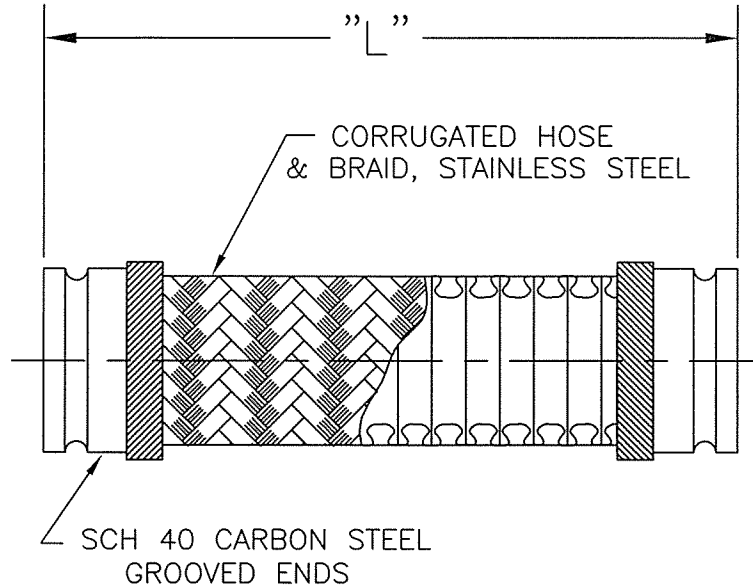


Vibration Eliminator

Co., Inc.

STAINLESS STEEL FLEXIBLE CONNECTORS W/ GROOVED ENDS



FOR TEMP. ABOVE 70°F	
TEMP. °F	FACTOR
70	1.00
200	0.92
300	0.86
400	0.82
500	0.77
600	0.73

* FOR SAFE WORKING PRESSURE ABOVE 70°F. MULTIPLY PRESSURE SHOWN AT 70°F. TIMES CORRECTION FACTOR OF REQUIRED TEMP.

QTY.	PIPE SIZE	"L"	Working Pressure @ 70°F	TAGS
	2"	15"	450	
	2 1/2"	15"	345	
	3"	15"	289	
	4"	15"	300	
	5"	17"	220	
	6"	17"	200	
	8"	18"	190	
	10"	21"	150	

MAX. PERMANENT OFFSET FROM $\text{C} \frac{3}{8}$ "

MAX. INTERMITTENT OFFSET FROM $\text{C} \frac{1}{8}$ "

VIBRATION ELIMINATOR CO., INC. ■ 15 Dixon Avenue ■ Copiague, New York 11726
 Tel. (631) 841-4000 Fax (631) 841-0020