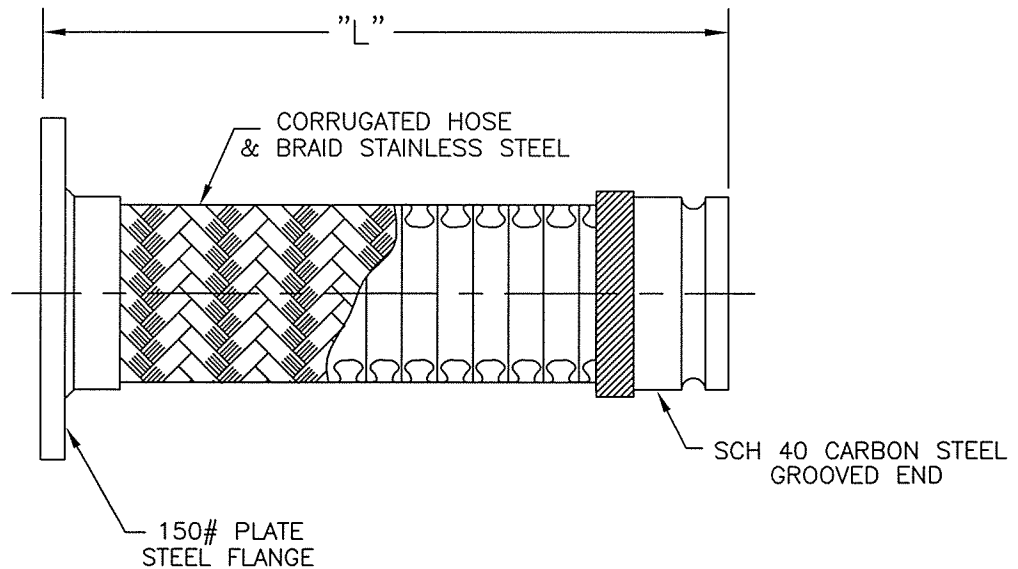




Vibration Eliminator

Co., Inc.

STAINLESS STEEL FLEXIBLE CONNECTORS – GROOVE by FLANGE END



FOR TEMP. ABOVE 70°F	
TEMP. °F	FACTOR
70	1.00
200	0.92
300	0.86
400	0.82
500	0.77
600	0.73

* FOR SAFE WORKING PRESSURE ABOVE 70°F. MULTIPLY PRESSURE SHOWN AT 70°F. TIMES CORRECTION FACTOR OF REQUIRED TEMP.

QTY.	PIPE SIZE	"L"	Working Pressure @ 70°F	TAGS
	2"	12"	450	
	2 1/2"	12"	345	
	3"	12"	289	
	4"	12"	300	
	5"	14"	220	
	6"	14"	200	
	8"	16"	190	
	10"	17"	150	

MAX. PERMANENT OFFSET FROM \varnothing 3/8"
 MAX. INTERMITTENT OFFSET FROM \varnothing 1/8"

VIBRATION ELIMINATOR CO., INC. ■ 15 Dixon Avenue ■ Copiague, New York 11726
 Tel. (631) 841-4000 Fax (631) 841-0020