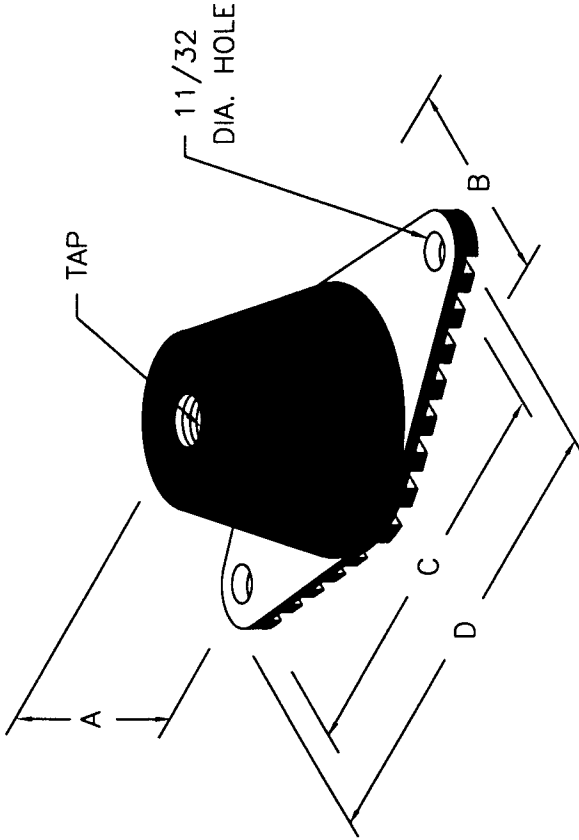
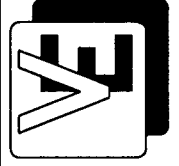


# NEOPRENE ISOLATORS FOR FLOOR MOUNTING



MODEL NUMBER	COLOR CODE	RATED LOAD	RATED DEFL.	A	B	C	D	TAP SIZE
T22 - 3	BLACK	40 #	.25"	1"	1 5/8"	2 3/8"	3"	5/16"
T44	BLACK	100 #	.25"	1 1/4"	2 5/16"	3"	3 3/4"	3/8"
	BLUE	150 #						
	GREEN	300 #						
	ORANGE	400 #						
D44	BLACK	100 #	.50"	1 3/4"	2 5/16"	3"	3 3/4"	3/8"
	BLUE	150 #						
	GREEN	300 #						
	ORANGE	400 #						



VIBRATION ELIMINATOR CO., INC.  
 15 Dixon Avenue  
 Copiague, New York 11726  
 Tel. (631) 841-4000 Fax (631) 841-0020

JOB : \_\_\_\_\_  
 CONTRACTOR : \_\_\_\_\_  
 P.O. NO. : \_\_\_\_\_

Dwg. No. \_\_\_\_\_