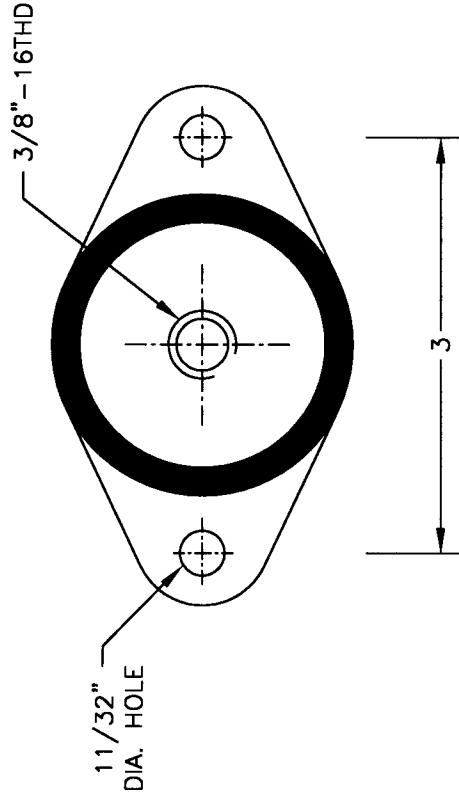
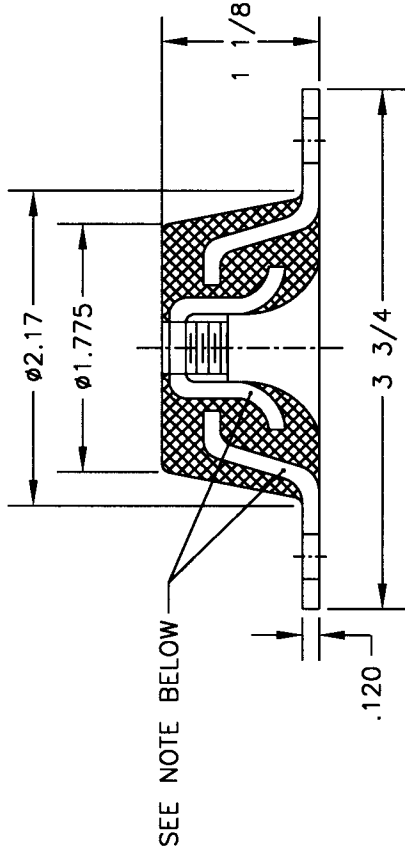


ALL DIRECTIONAL STEEL AND NATURAL RUBBER ISOLATOR TYPE "T54"

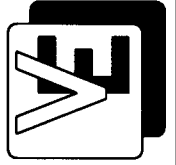
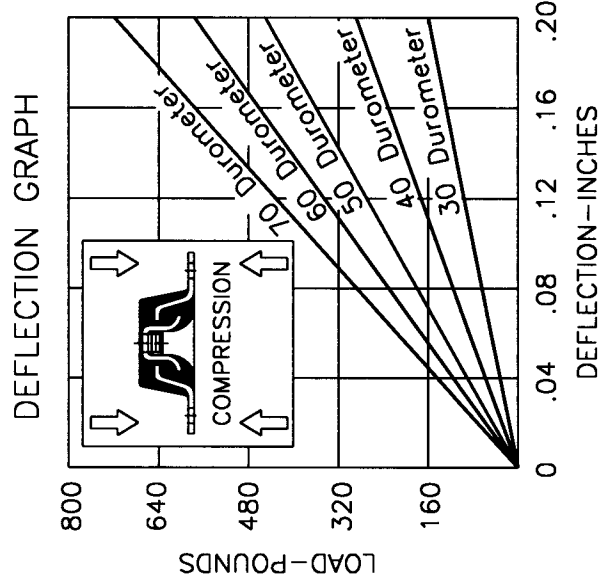
SPECIFICATIONS T54 (compression)

Durometer	K Value (lbs./in.)	Max. Recommended Deflection	Load in lbs. @
30	800	.20"	160
40	1500	.20"	300
50	2350	.20"	470
60	3000	.20"	600
70	3650	.20"	730



NOTE:

ISOLATORS ARE MOLDED OF 30, 40, 50, 60, 70 DUROMETER NEOPRENE WITH AN INTERLOCKING SYSTEM OF METAL PARTS.



VIBRATION ELIMINATOR CO. INC.
 15 Dixon Avenue
 Copiague, NY 11726
 TEL. (631) 841-4000 FAX (631) 841-0020

T54.DWG

JOB : _____
 CONTRACTOR : _____
 P.O. NO. : _____

Dwg. No.