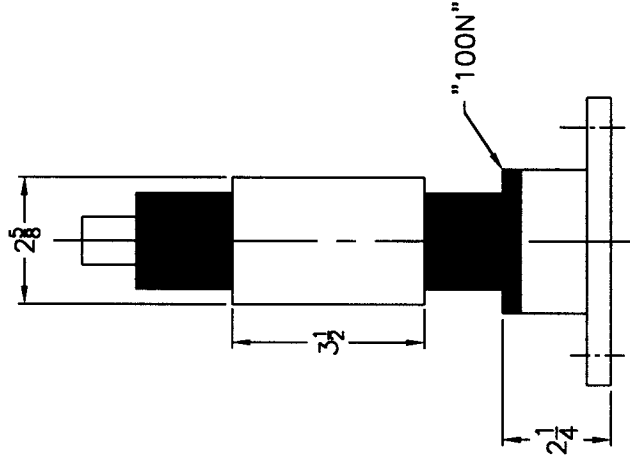
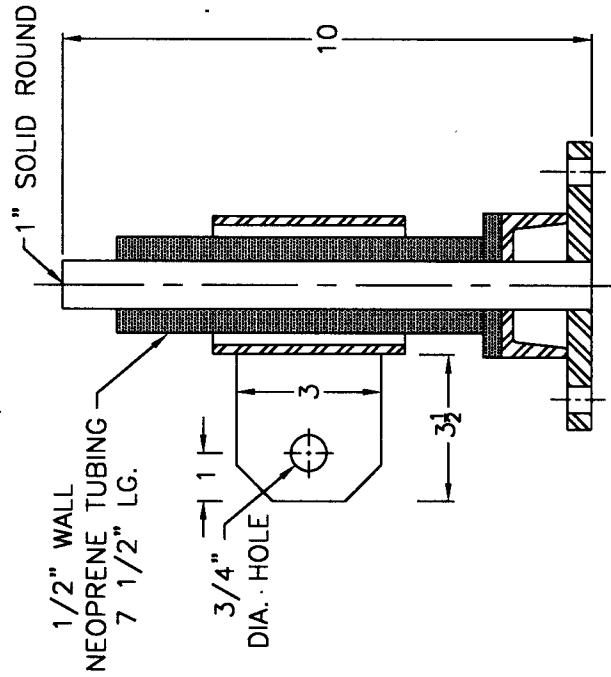
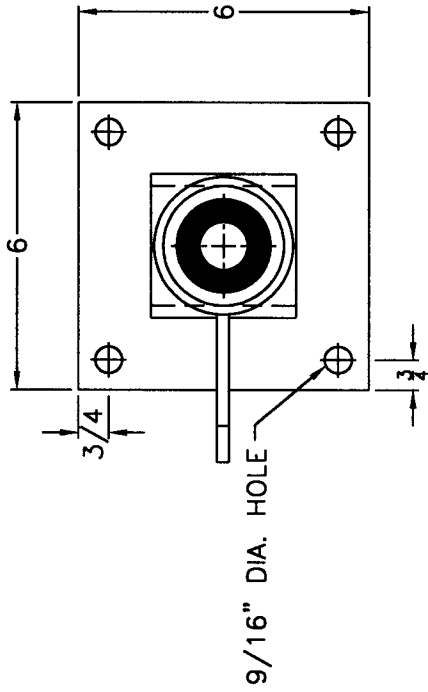


"VE-PG" PIPE RISER GUIDE



JOB : _____

CONTRACTOR : _____

P.O. NO. : _____



PIPEGUIDE.DWG

VIBRATION ELIMINATOR CO. INC.

15 Dixon Avenue
Copiague, NY 11726

TEL. (631) 841-4000 FAX (631) 841-0020

Dwg. No.: