

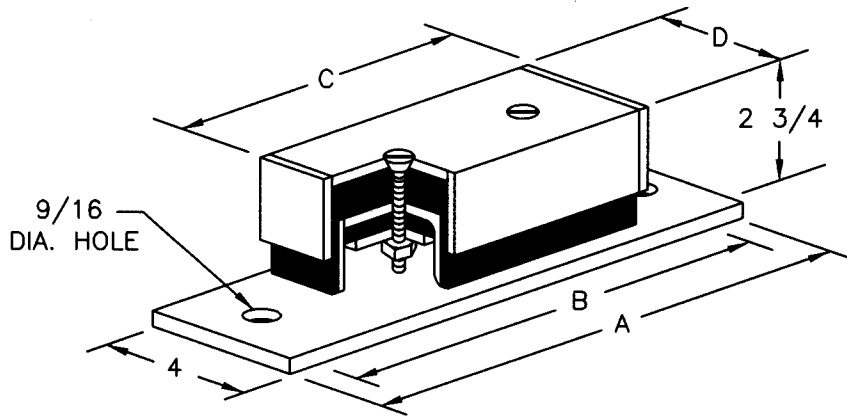


JOB: _____

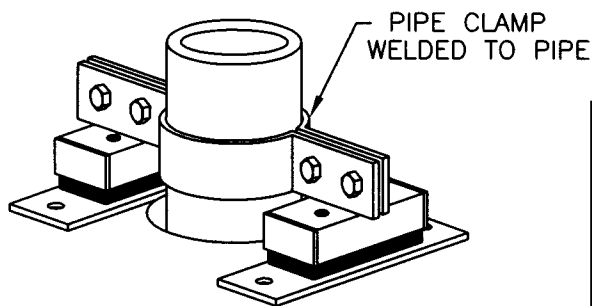
CONTRACTOR: _____

P.O. NO. _____

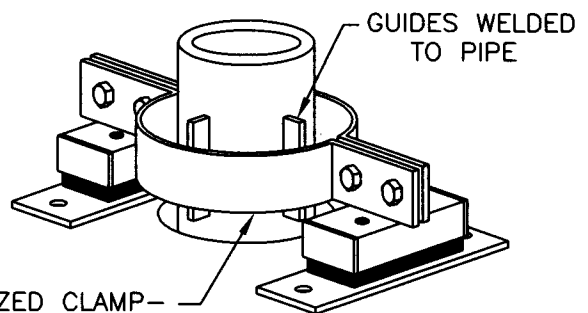
TYPE "VEVG" PIPE RISER GUIDES AND ANCHORS



MODEL NUMBER	"A"	"B"	"C"	"D"	RATED LOAD
VEVG-12	8	6 1/2	5	4	12000 #
VEVG-14	9	7 1/2	6	4	14400 #
VEVG-16	10	8 1/2	7	4	16800 #
VEVG-18	10	8 1/2	6	5	18000 #
VEVG-27	12	10 1/2	9	5	27000 #
VEVG-33	14	12 1/2	11	5	33000 #
VEVG-43	17	15 1/2	14	5	43000 #
VEVG-86	19	17 1/2	16	5	86000 #
VEVG-95	20	18 1/2	17	6	95000 #



VEVG PIPE ANCHOR



VEVG PIPE GUIDE

VIBRATION ELIMINATOR CO. INC.

15 Dixon Avenue

Copiapue, NY 11726

PH. (631) 841-4000 FAX (631) 841-0020

Rev.		
Rev.		
Date:		Dwg. No.: