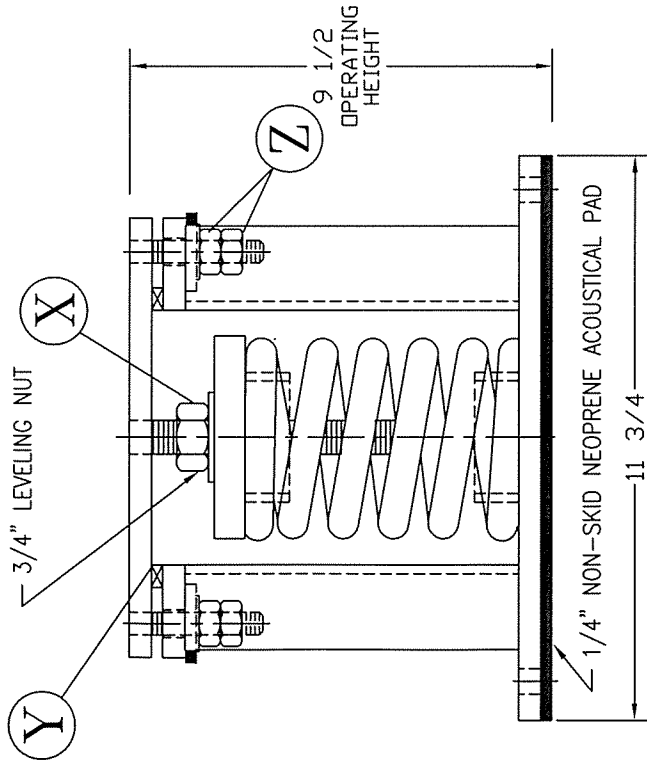
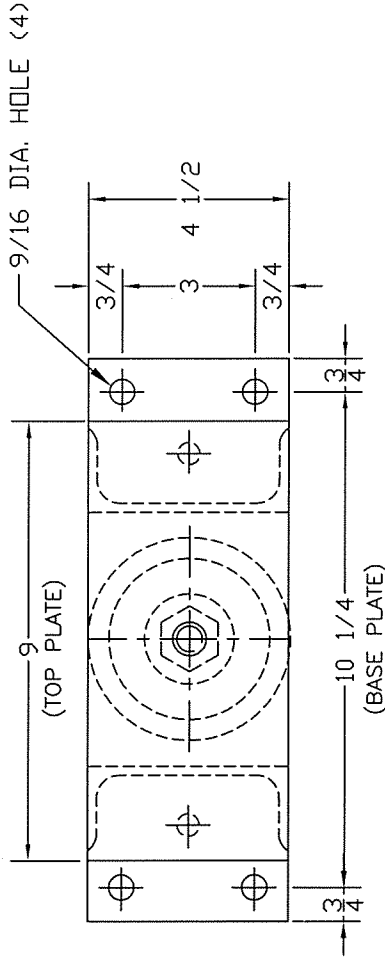


TYPE "1KW4" VERTICALLY RESTRAINED SPRING ISOLATOR

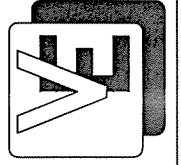


ISOLATOR TYPE	COLOR CODE	RATED LOAD	RATED DEFL.
1KW4	Silver	260 #	3.00"
	Yellow	400 #	2.80"
	Red	555 #	2.58"
	White	690 #	2.42"
	Green	840 #	2.28"
	Blue	1025 #	2.13"
	Orange	1220 #	2.00"
	Gold	1730 #	2.16"
	Silver	2340 #	2.00"
	Yellow	3000 #	2.00"
F59/F69	Yellow/Yellow	3680 #	2.00"

ALL SPRINGS POWDER COATED
ALL STEEL HOT DIPPED GALVANIZED
ALL HARDWARE ZINC-ELECTROPLATED

INSTALLATION INSTRUCTIONS:

1. INSTALL ISOLATORS UNDER BRACKET, BASE OR EQUIPMENT LEG. ISOLATORS MUST BE INSTALLED ON A LEVEL SURFACE.
2. INSTALL EQUIPMENT (INCLUDING ALL PIPING & WATER FOR COOLING TOWER).
3. TEMPORARILY REMOVE ALL VERTICAL LOCK NUTS "Z" FROM HOLD-DOWN BOLTS.
4. ADJUST ISOLATORS BY TURNING LEVELING NUT "X" CLOCKWISE SEVERAL TURNS AT A TIME ALTERNATELY ON EACH ISOLATOR UNTIL EQUIPMENT BEGINS TO RAISE AND SHIMS "Y" CAN BE REMOVED. THEN LEVEL AS REQUIRED.
5. REPLACE THE WASHER AND THE FIRST VERTICAL LOCK NUT "Z" ON EACH HOLD-DOWN BOLT. THE FIRST NUT, SUPPORTING THE WASHER, SHALL BE TURNED SO THE WASHER JUST CONTACTS THE NEOPRENE GROMMET. (DO NOT COMPRESS THE NEOPRENE GROMMET BY TORQUING DOWN ON THE HOLD-DOWN NUTS.) INSTALL THE SECOND "Z" NUT AND TIGHTEN IT AGAINST THE FIRST NUT LOCKING THE NUTS IN PLACE.
6. MOUNTS ARE NOW PROPERLY ADJUSTED AND READY FOR THE SUPPORTED EQUIPMENT TO BE OPERATED.



VIBRATION ELIMINATOR CO. INC.
15 Dixon Avenue
Copiague, NY 11726
TEL. (631) 841-4000 FAX (631) 841-0020

JOB : _____
CONTRACTOR : _____
P.O. NO. : _____

Dwg. No. _____