

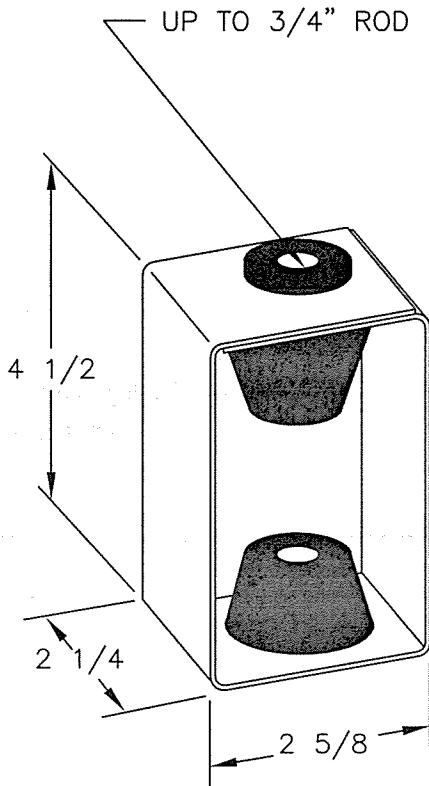


JOB: _____

CONTRACTOR: _____

P.O. NO. _____

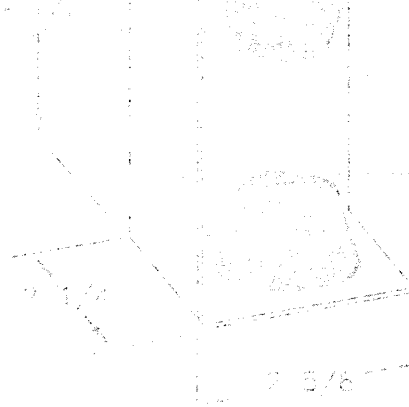
TYPE "2CD" NEOPRENE HANGER



ISOLATOR TYPE	RATED LOAD	RATED DEFL.
2CD	100#	0.35"

Note:

1. All hangers are designed to allow as much as a 30° angular rod misalignment.
2. Entire metal hanger box zinc-electroplated.



VIBRATION ELIMINATOR CO. INC.

15 Dixon Avenue
Copiague, NY 11726

TEL. (631) 841-4000 FAX (631) 841-0020

Rev.

Rev.

Date:

Dwg. No.: