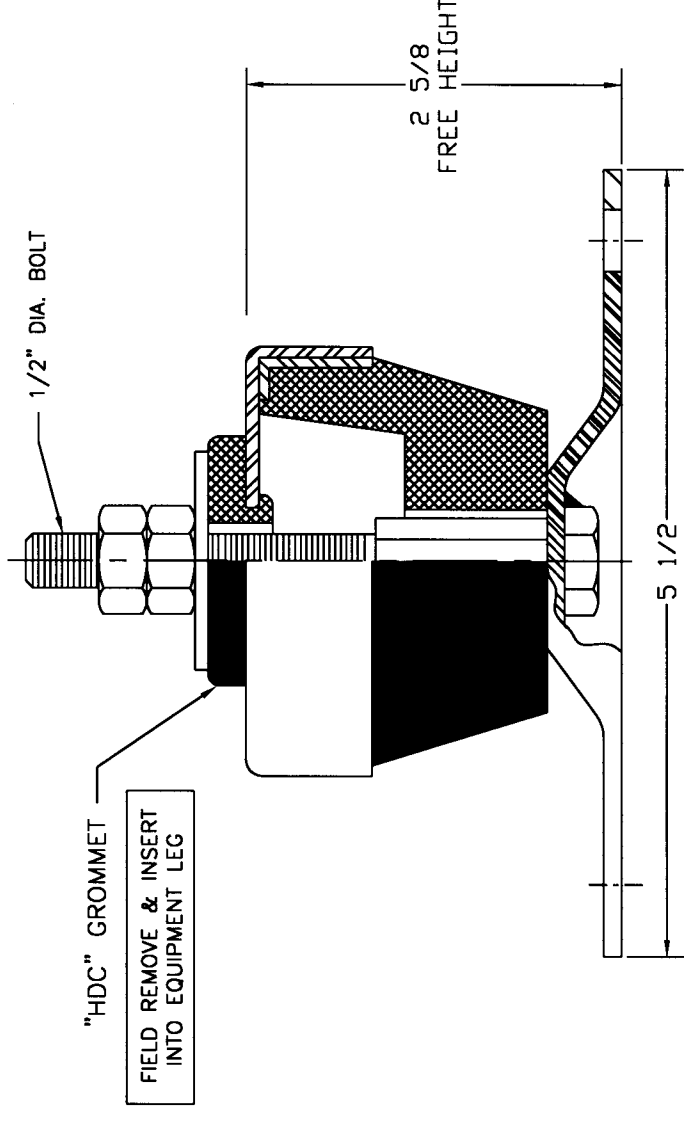
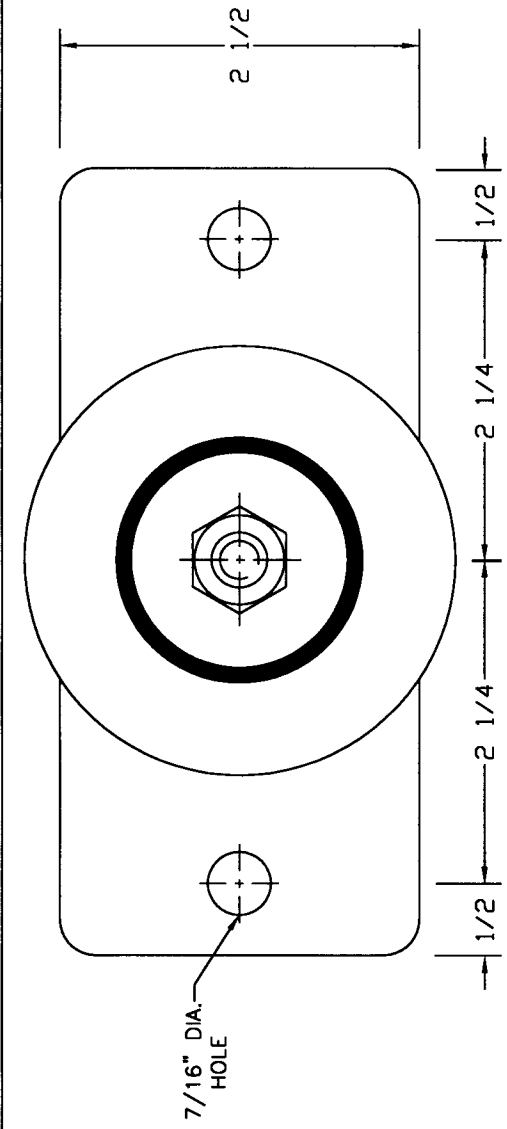
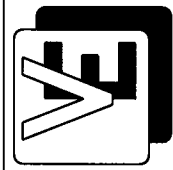
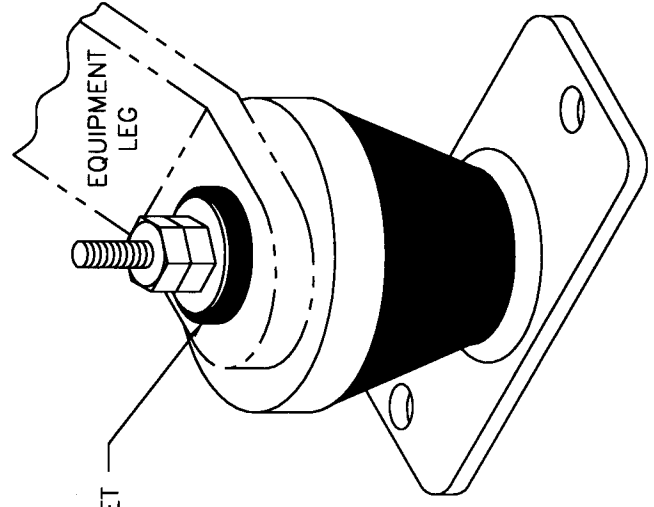


# TYPE "368WTD" NEOPRENE ISOLATOR



MODEL NO.	LOAD RANGE	COLOR CODE
368WTD-1	80-150	WHITE
368WTD-2	151-300	GREEN
368WTD-3	301-460	BLUE
368WTD-4	461-900	ORANGE

1/2" RATED DEFLECTION



VIBRATION ELIMINATOR CO. INC.  
 15 Dixon Avenue  
 Copiogue, NY 11726  
 TEL (631)841-4000 FAX (631)841-0020

JOB : \_\_\_\_\_  
 CONTRACTOR : \_\_\_\_\_  
 P.O. NO. : \_\_\_\_\_

Dwg. No. \_\_\_\_\_