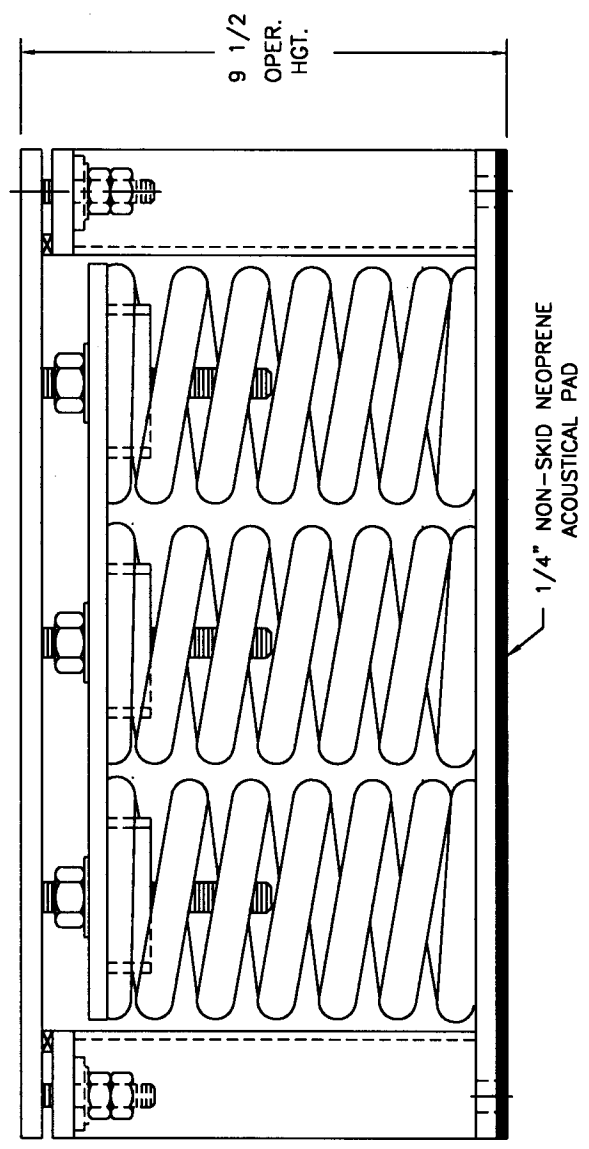
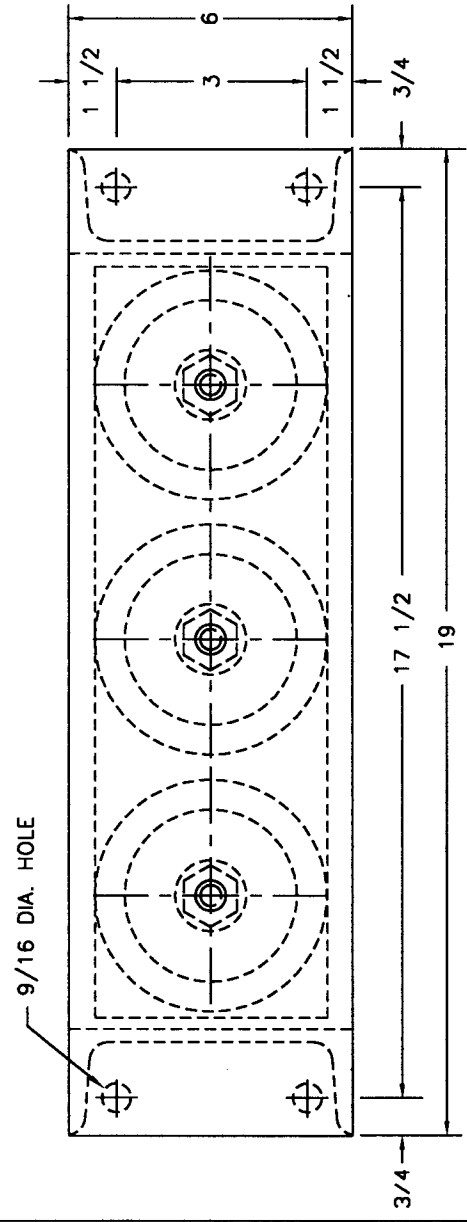


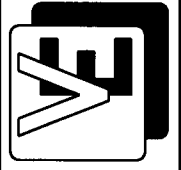
TYPE "3KW4" VERTICALLY RESTRAINED SPRING ISOLATOR

ISOLATOR TYPE	COLOR CODE	RATED LOAD	RATED DEFL.
3KW4	Orange	3660#	2.00"
	Gold	5190#	2.16"
	Red/Silver	7020#	2.00"
	Red/Yellow	9000#	2.00"

ALL HARDWARE ZINC-ELECTROPLATED



JOB : _____
 CONTRACTOR : _____
 P.O. NO. : _____



VIBRATION ELIMINATOR CO. INC.
 15 Dixon Avenue
 Copiague, NY 11726
 TEL. (631)841-4000 FAX (631)841-0020

Dwg. No. _____

C2000/3KW4-sm.DWG