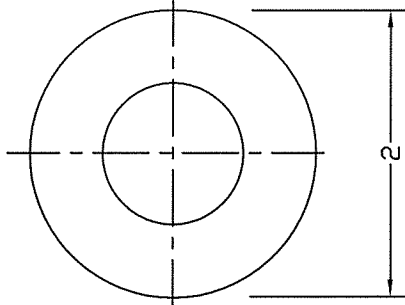
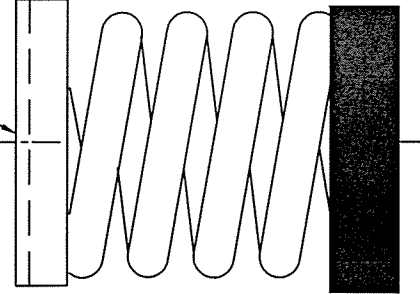


TYPE "OSC1" SPRING ISOLATOR

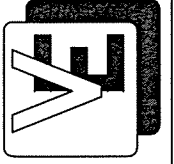


3/4" DIA. HOLE
(TOP AND BOTTOM)



ISOLATOR TYPE	COLOR CODE	RATED LOAD	RATED DEFL.
OSC1	RED	30 #	1.0"
	GREEN	60 #	1.0"
	BLUE	100 #	1.0"
	YELLOW	200 #	1.0"

JOB : _____
 CONTRACTOR : _____
 P.O. NO. : _____



VIBRATION ELIMINATOR CO. INC.
 15 Dixon Avenue
 Copiague, NY 11726
 TEL. (631)841-4000 FAX (631)841-0020

Dwg. No.: