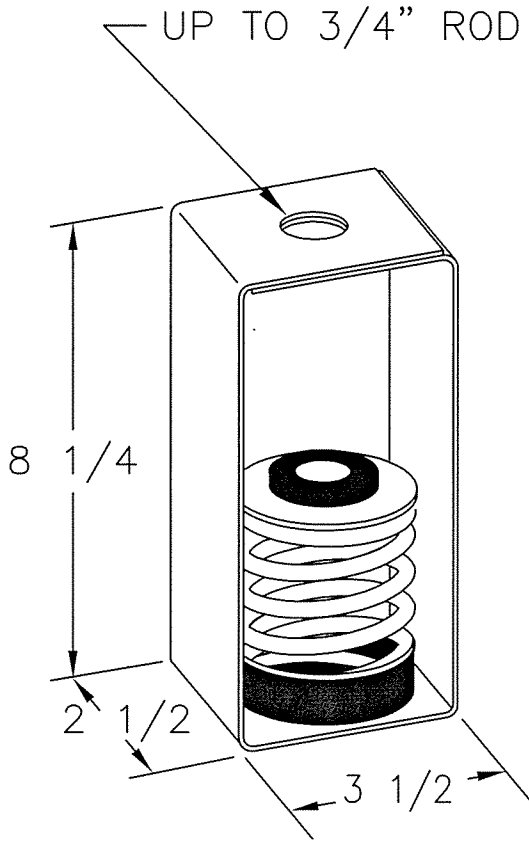




JOB: \_\_\_\_\_  
 CONTRACTOR: \_\_\_\_\_  
 P.O. NO. \_\_\_\_\_

## TYPE "SNC10" SPRING HANGER



ISOLATOR TYPE	COLOR CODE	RATED LOAD	RATED DEFL.	
SNC10	V40	Silver	40 #	2.0"
	V41	Yellow	80 #	2.0"
	V42	Red	120 #	2.0"
	V43	Green	180 #	2.0"
	V44	Blue	250 #	2.0"
	V45	Orange	350 #	2.0"

**Note:**

All springs are powder coated.  
 All springs are designed to provide additional travel of 50% of rated load.  
 Hanger bracket is zinc plated.  
 Hanger bracket will allow 30° rod misalignment.  
 Isolation hangers have a minimum Kx/Ky ratio of 0.8.  
 Isolation hangers have a neoprene bottom spring cup.

**VIBRATION ELIMINATOR CO. INC.**

15 Dixon Avenue  
 Copiague, NY 11726

TEL. (631) 841-4000 FAX (631) 841-0020

Rev.		
Rev.		
Date:		Dwg. No.: